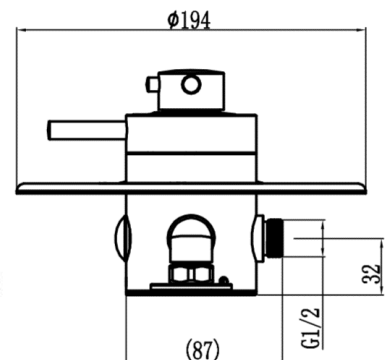
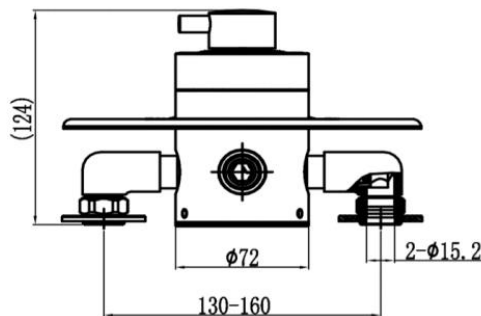
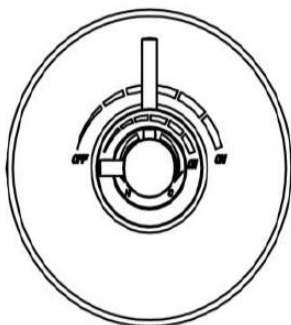


## Technical Data Information

<b>Product Code:</b>	VM61P
<b>Information:</b>	Dual Lever Thermostatic Shower Valve
<b>Construction</b>	Brass Body (CuZn38Pb18); Zinc alloy handle
<b>Finishes</b>	Chrome plated to BS EN 248
<b>Product Type</b>	Contemporary
<b>Water Pressure</b>	Min. 0.5 bar, Max. 6.0 bar
<b>Plumbing Systems</b>	Suitable for all plumbing systems, preferably balanced. Min. supply pressure differential requirement is 5:1
<b>Standards</b>	Complies with BSEN 1111
<b>Certification</b>	WRAS (1710082) and TMV2 (NSF1919/1017) approved and certified
<b>Cartridge</b>	Thermostatic
<b>Fitting</b>	½" compression connection
<b>Check valve</b>	0.5-10gpm
<b>Packaging</b>	55 x 41 x 29cm / carton (8 boxes / carton), Weight: 3000g/box
<b>Guarantee</b>	10 years against manufacturing faults (excluding serviceable parts).
<b>Additional Information</b>	<ol style="list-style-type: none"> <li>1. Temperature: Pre-set 38°C, with push button override to 48°C.</li> <li>2. Automatic shut off in the event of hot or cold water supply failure.</li> <li>3. Brass Wall-plate</li> <li>4. Adjustable Elbow: 135-165mm</li> </ol>



All Dimensions are in millimetres. The information contained on this page was correct at date of issue. Fitting dimensions are provided as a guide only. Some variation may occur due to manufacturing tolerances. We pursue a policy of continuing improvement in design and performance of our products and so reserve the right to change specifications without prior notice.