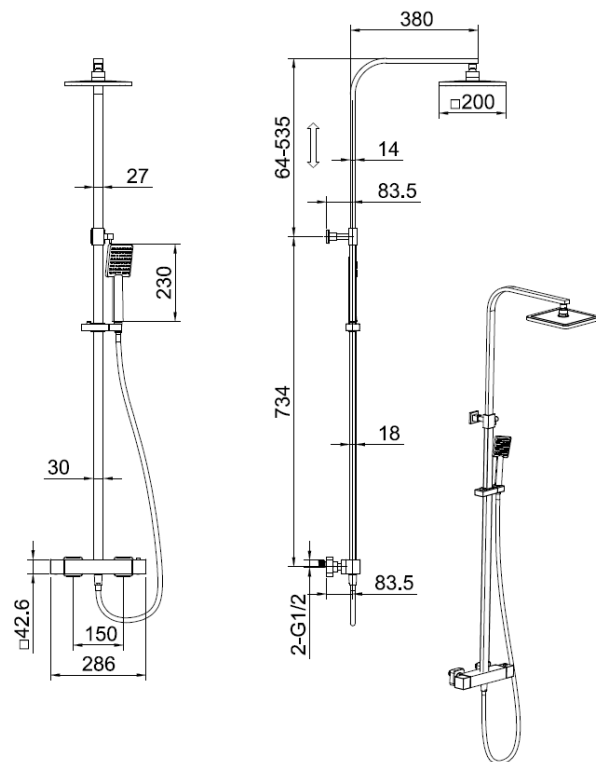


Technical Data Information

**Product Code:** VM108

**Description:** Cool Touch Thermostatic Shower Mixer

- **Product Material:** Stainless Steel/ABS
- **Valve/Cartridge Type:** Integrate diverter ceramic valve
- **Plumbing Systems:** Suitable for all plumbing systems, preferably balanced. Min. supply pressure differential requirement is 5:1
- **Water Pressure:** Min 0.5 Bar – Max 6.0 Bar
- **Standards:** Complies with BSEN 1111
- **Check Valve:** 0.5-10 gpm
- **Fitting:** S-Unions
- **Weight:** 4.45Kg/Box
- **Additional Info:**
  - Temperature: Pre-set 38°C, with push button override to 48°C.
  - Automatic shut off in the event of hot or cold-water supply failure.
  - Shower head: Chrome, 200mm, ABS
  - Shower handset: Chrome, ABS
  - Shower hose: 1.5m stainless steel
  - Riser Rail: Stainless steel adjustable riser rail



**Flow Rates (Litres per minute)**

System Pressure	0.1 Bar	0.2 Bar	0.3 Bar	0.5 Bar	1.0 Bar	1.5 Bar	2.0 Bar	3.0 Bar	4.0 Bar	5.0 Bar
<b>VM108</b>	2.4	3.8	-	6.7	10.9	-	-	18.2	-	-

All Dimensions are in millimetres. The information contained on this page was correct at date of issue. Fitting dimensions are provided as a guide only. Some variation may occur due to manufacturing tolerances. We pursue a policy of continuing improvement in design and performance of our products and so reserve the right to change specifications without prior notice.