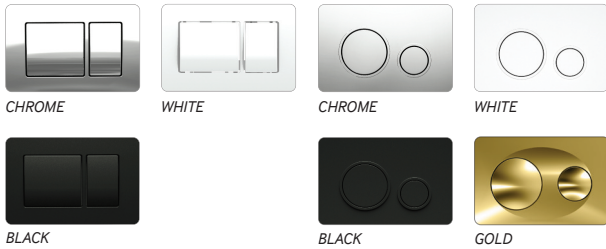
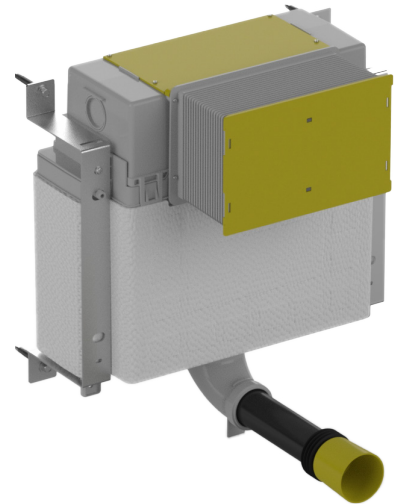


Concealed Cistern

for Back to Wall WC

Includes pan connectors, cistern with front and top access, dual flush cistern and rectangular or circular fascia flush plate, [excluding wc pan]



USW0147 - CHROME
USW0148 - WHITE
USW0149 - BLACK

USW0150 - CHROME
USW0151 - WHITE
USW0152 - BLACK
USW0153 - GOLD

FLUSH VOLUME	6/3 litre
MATERIAL	Plastic
FIXINGS	Supplied
STANDARDS	EN 14055
PRODUCT DIMENSIONS	W420 x H420 x D155-185mm
ADDITIONAL INFORMATION	Suitable for use with stud walls where adequate grounds are provided. Load capacity 400KG.

