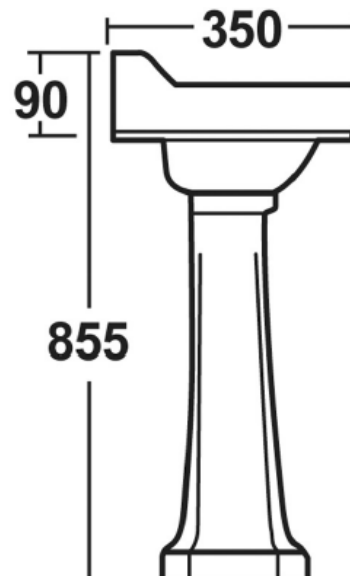
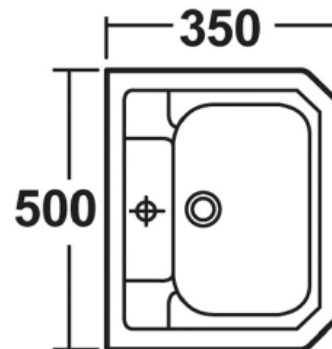


Technical Data Information

Product Code:	UNCS885A
Information:	Richmond 500mm Basin 1TH Colour: White Material: Vitreous China Weight: 14Kg Overflow: Yes Overflow Cover: Yes
Overall Dimensions:	H: 223 x D: 350 x W: 500



All Dimensions are in millimetres. The information contained on this page was correct at date of issue. Fitting dimensions are provided as a guide only. Some variation may occur due to manufacturing tolerances. We pursue a policy of continuing improvement in design and performance of our products and so reserve the right to change specifications without prior notice.