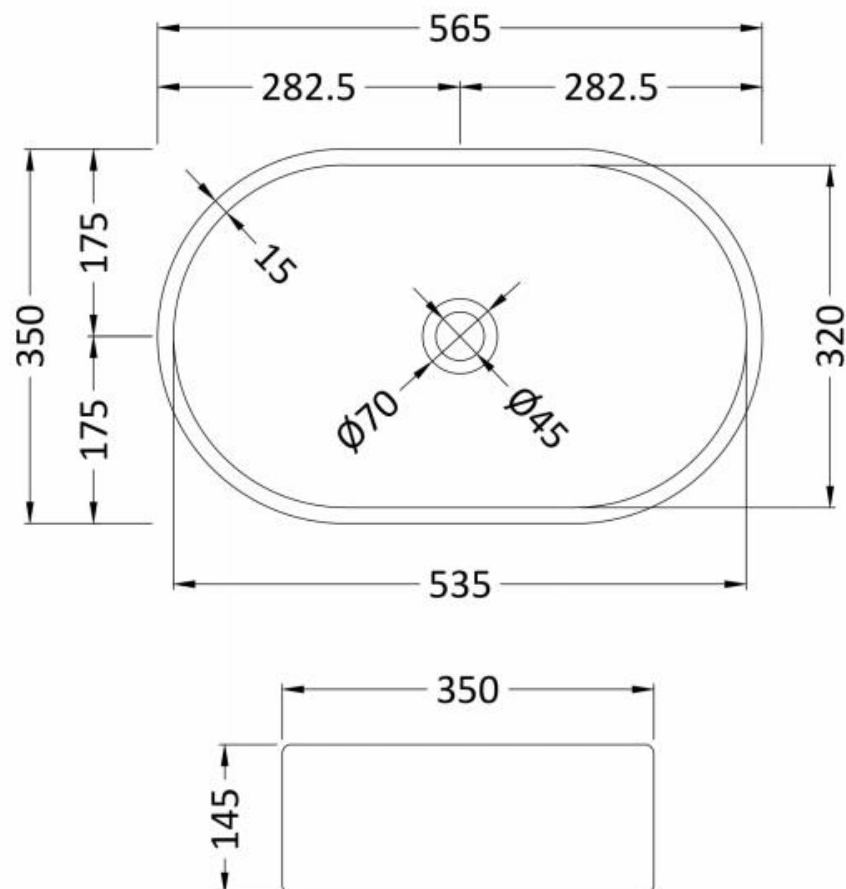


Technical Data Information

Product Code: UNBV169

Information: Oval Basin
Weight: 11Kg
Overflow: No
Tap holes: No

Overall Dimensions: H: 145 X W: 565 X D: 350



All Dimensions are in millimetres. The information contained on this page was correct at date of issue. Fitting dimensions are provided as a guide only. Some variation may occur due to manufacturing tolerances. We pursue a policy of continuing improvement in design and performance of our products and so reserve the right to change specifications without prior notice.