



# RT LARGE

## TECHNICAL DATASHEET

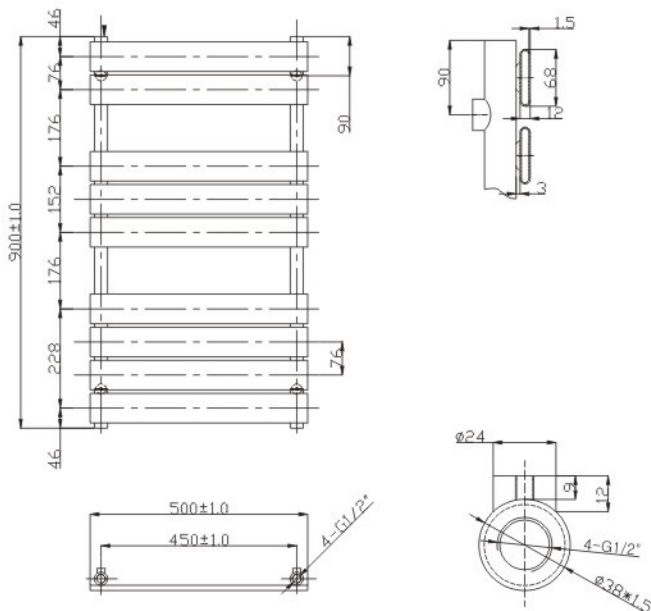
### MILAN ANTHRACITE DESIGNER RADIATOR

<b>Product Code</b>	UMIL9050A	<b>Barcode</b>	5391527866787
<b>Finish</b>	ANTHRACITE	<b>Ral No</b>	7016
<b>Product Type</b>	DESIGNER RADIATOR		
<b>Btu/hr output</b>	1479 at 60 C		

#### Guarantee & Aftercare

During installation extra care must be taken to avoid damaging the fittings. We provide a 10 year guarantee against faulty workmanship or materials (excluding serviceable parts), providing they have been installed, cared for and used in accordance with our instructions.

Watts	433
Pipe centres	450mm
Max projection	145mm
Max height	900mm
Max width	500mm



#### CUSTOMER CARE:

For further information please call +353(0)1 450 4307