

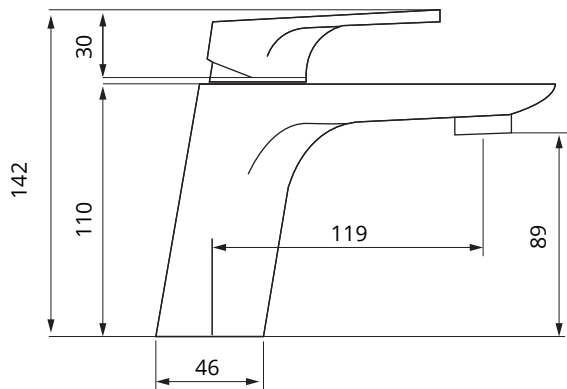
JASMIN Chrome

ECO FLOW Basin Mixer

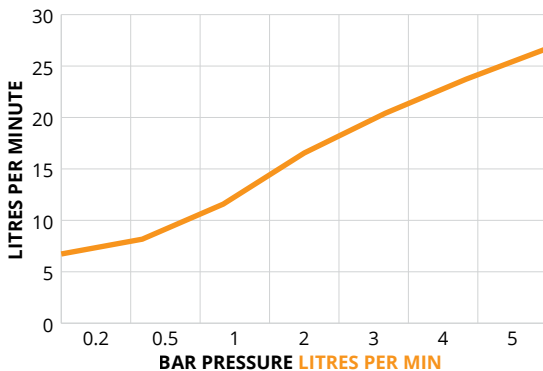


Waste Included

MATERIAL	Brass
FIXING	Deck mounted using back nuts provided
FEATURES	<ul style="list-style-type: none"> • Double click ECO Faucet • Eco setting 75% water saving • Temperature Limiter adjustment • 35mm Ceramic faucet
APPROVALS	EN817:2018 EN13618:2016



FLOW RATES OPEN OUTLET



Bar	Litres per min
0.2	6.73
0.5	8.17
1	11.58
2	16.55
3	20.41
4	23.73
5	26.71

*eco click saves 75% water consumption

WARRANTY

- Warranty on taps applies to finish and main body of products, **5 years** - Chrome Finish, **2 years** - Matt Black & Brushed Gold Finishes.
- All surfaces must be cleaned with warm soapy water and dried with soft cloths only. The use of abrasive cleaners or materials will render warranty invalid. Flexible tail connections, hoses, handsets and faucets are covered by a 2 year guarantee. Do not over tighten flexible tail connections as this may result in later failure of the fitting.
- To enable each supply to be individually isolated product should be fitted with individual isolating valves, claims will be dealt with on that basis.
- Suitable access should be provided for in order for products or parts to be replaced under warranty. In the event that no access is provided, labour cost claims cannot be upheld.