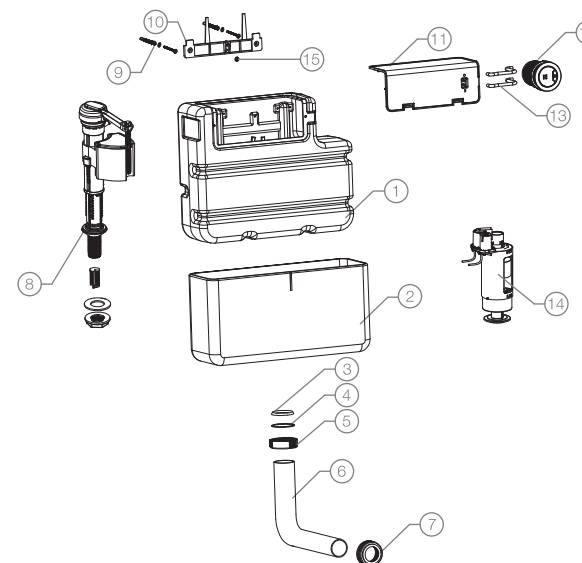


We recommend that this product should be fitted by a qualified plumber.

PARTS INCLUDED



1. Cistern
2. EPS Jacket
3. Seal
4. Washer
5. Flush Bend Nut
6. Flush Bend
7. Key Seal
8. Bottom Entry Fill Valve
9. 2 x Attaching Screws
10. Attachment Plate
11. Cistern Cover
12. Pneumatic Push-button
13. Air Hoses
14. Flush Valve
15. Cistern Fixing Screw

Tavistock Ltd.

A Division of Roper Rhodes Limited

Brassmill Lane Trading Estate, Bath BA1 3JF

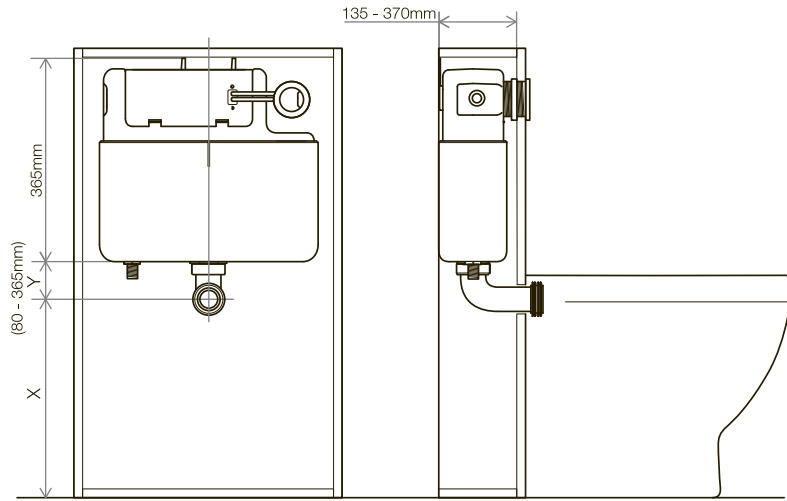
tel : 01225 303900

fax : 01225 448877

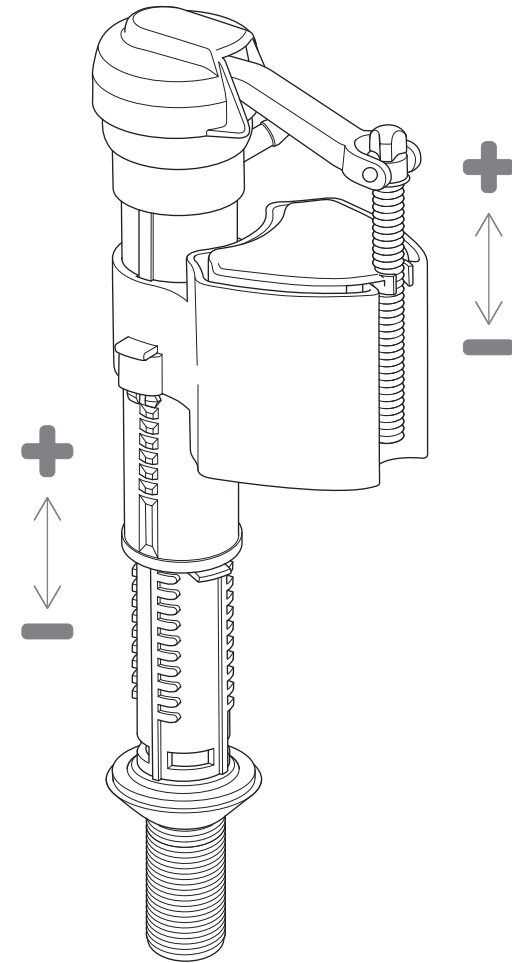
email : tavistock@roperrhodes.co.uk

www.tavistock-bathrooms.co.uk

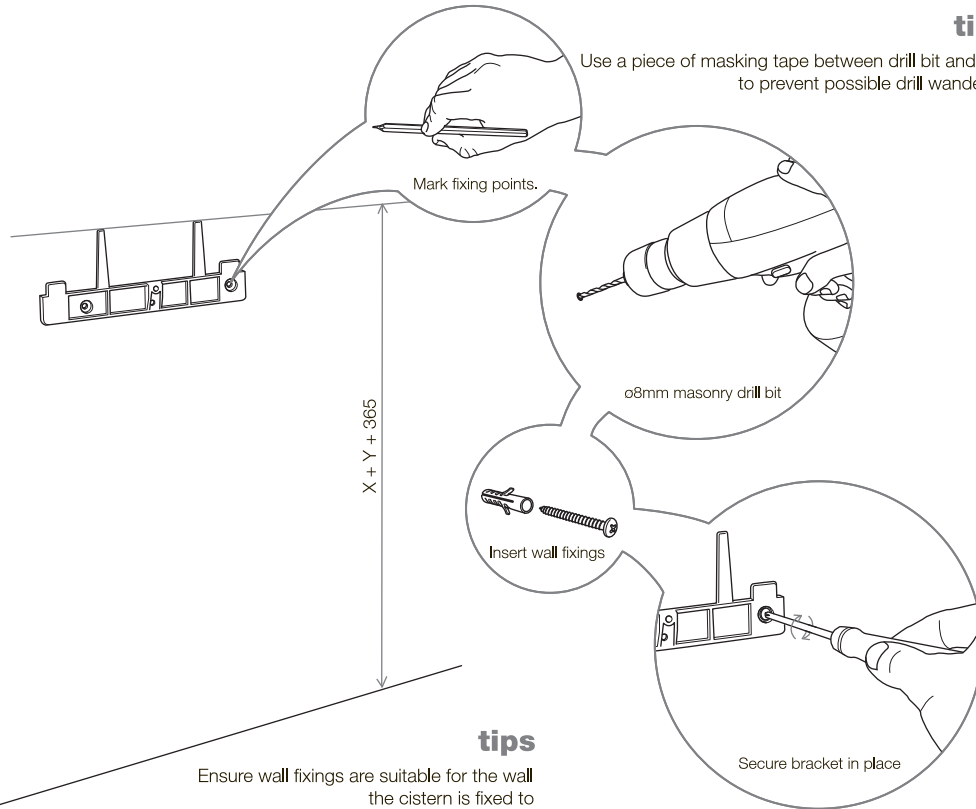
FITTING DIMENSIONS



ADJUSTING THE WATER LEVEL

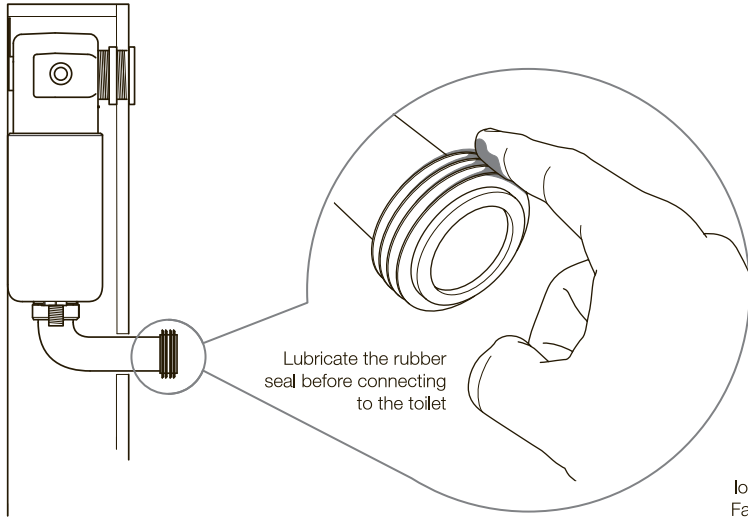


INSTALLATION OF THE CISTERN



By adjusting the fill valve the water level can either be increased or decreased accordingly

FIXING THE TOILET

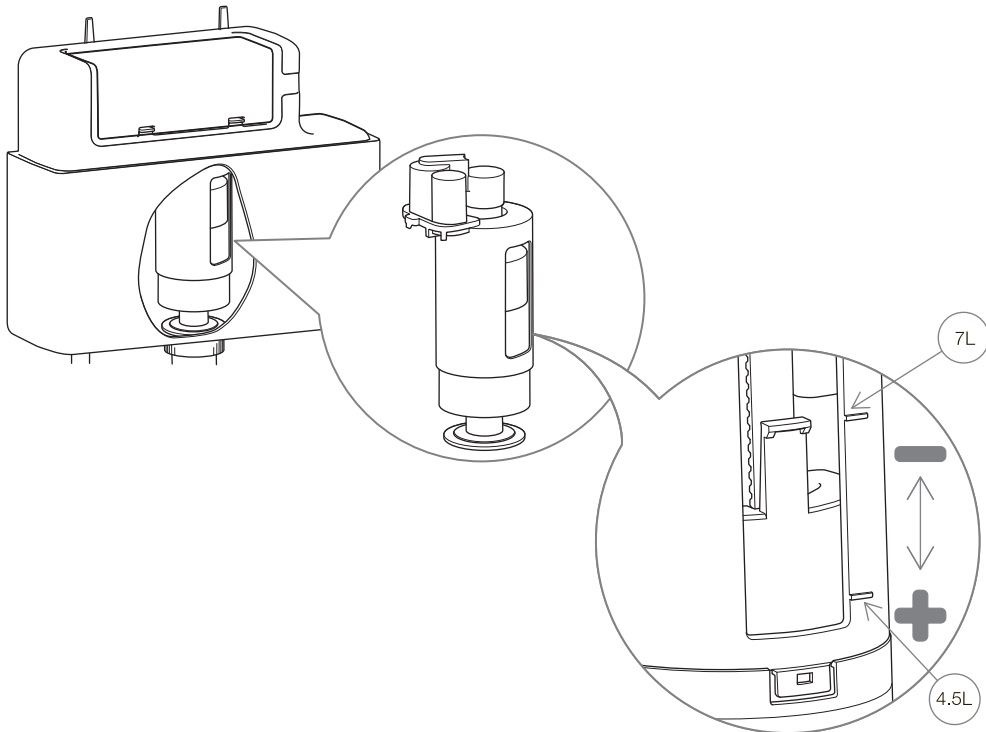


note
Lubricant not supplied.
Please use a suitable
plumbers grease.

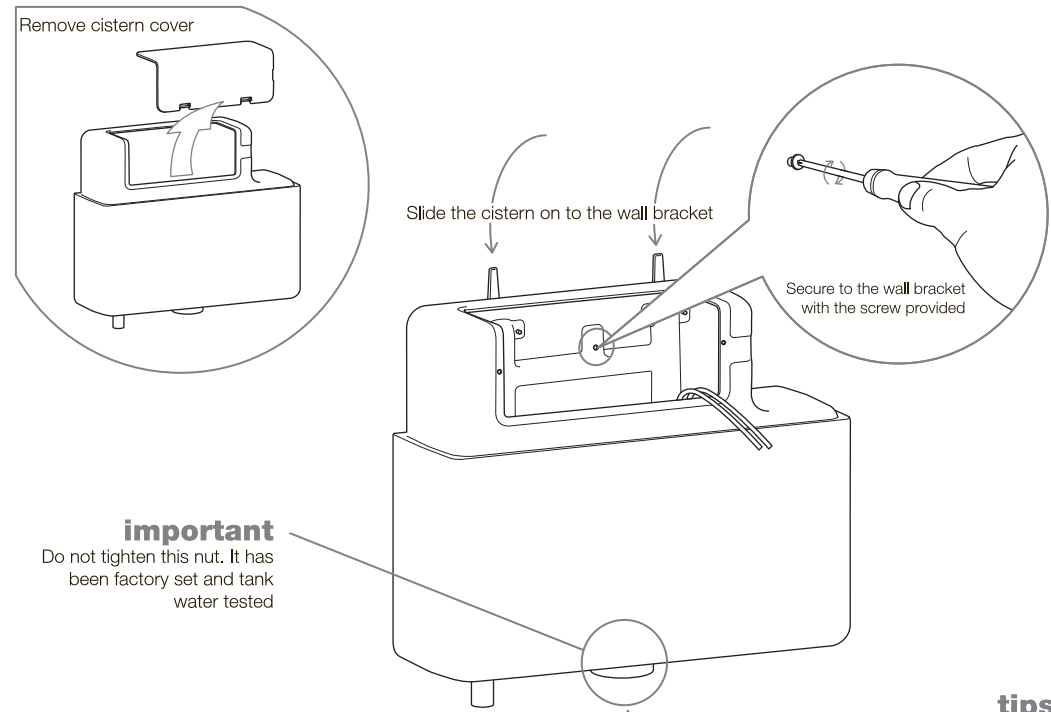
important
Great care must be taken when
fixing the toilet. Careful cutting
of the pipe and alignment are
very important to ensure no
leaks occur.

important
Please support the flush pipe when
locating the toilet onto the rubber seal.
Failure to do so could result in damage
to the flush connection

ADJUSTING THE FLUSH VOLUME



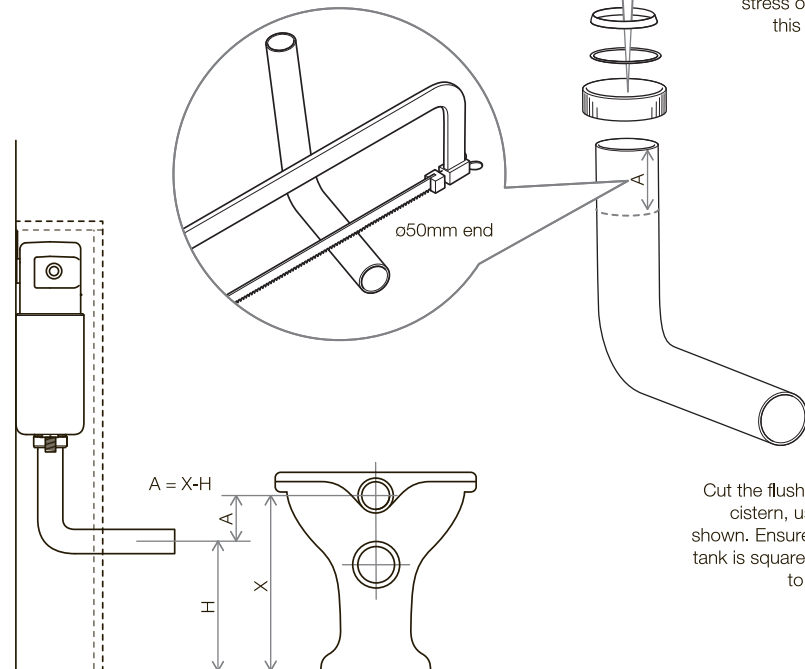
By adjusting the flush valve the flushing volume can be altered



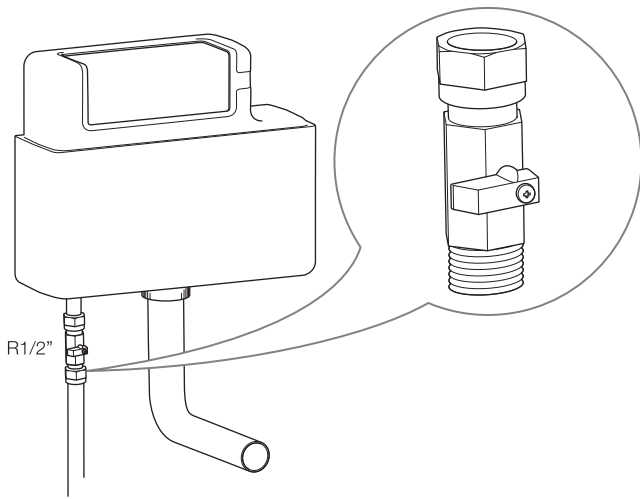
important
Do not tighten this nut. It has
been factory set and tank
water tested

tips

It is recommended that the flush bend be
adequately braced against the wall using
an appropriate pipe bracket or wooden
packing. Ensure there is no tension /
stress on the connection to the tank as
this could cause the fittings to leak.



Cut the flush bend to size and attach to the
cistern, using the appropriate fittings, as
shown. Ensure alignment to pan from cistern
tank is square both vertically and horizontally
to allow seal to function correctly

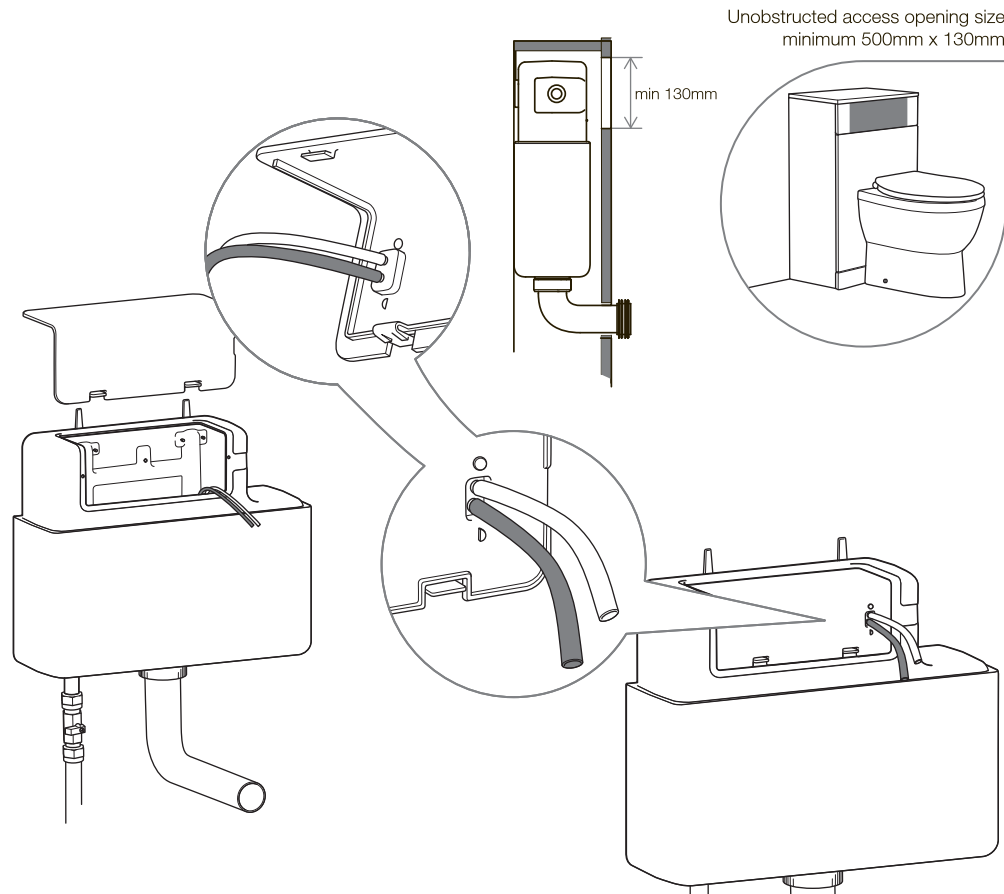


note

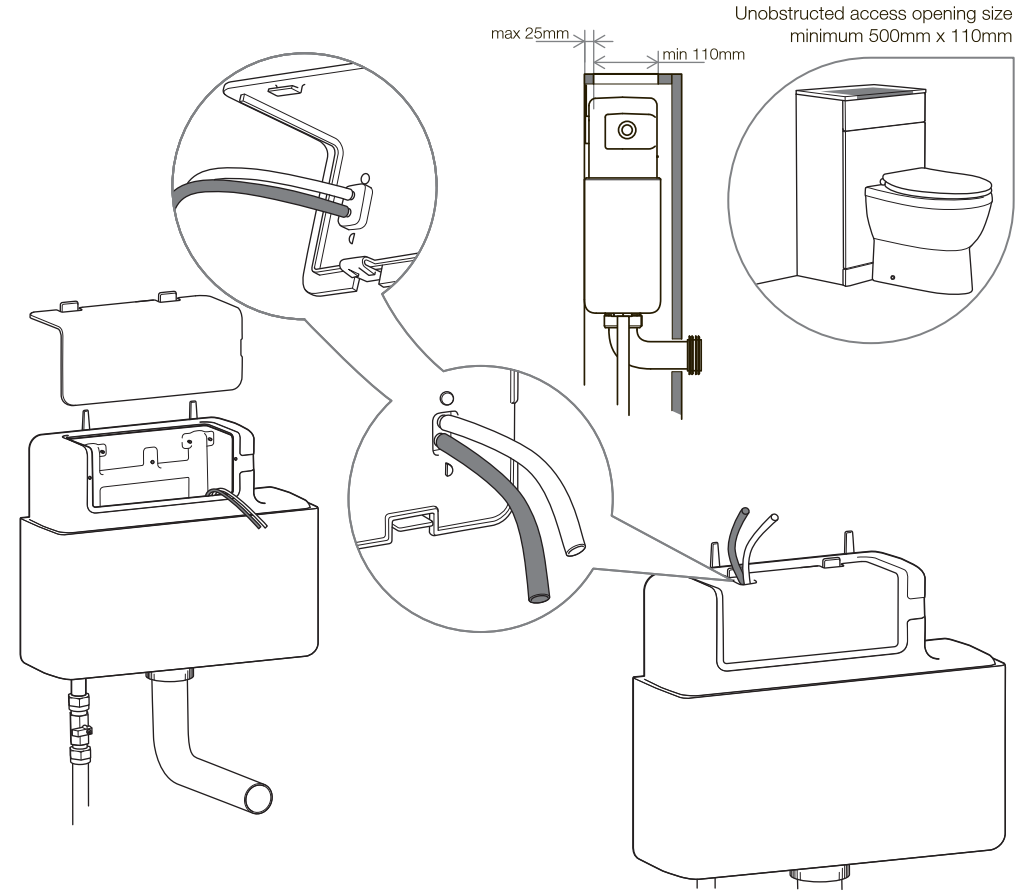
Stop valve not included

Connect the water supply to the cistern using an approved stop valve

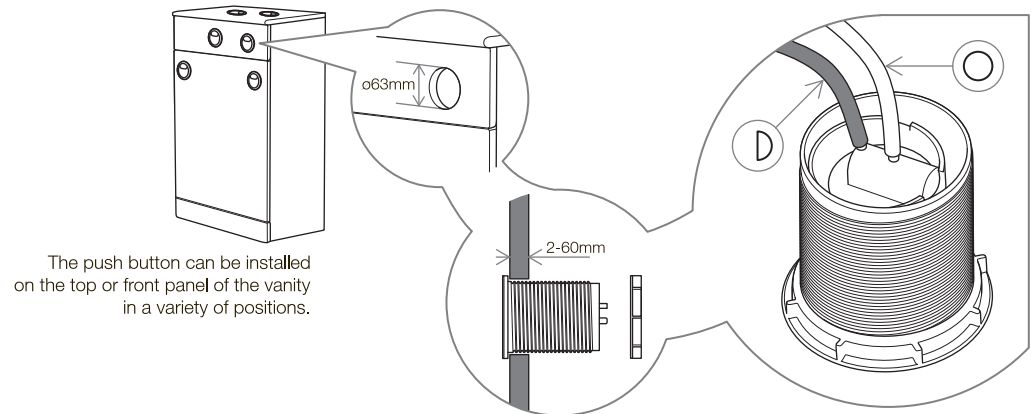
INSTALLATION WITH A FRONT ACCESS PANEL



INSTALLATION WITH A TOP ACCESS PANEL



INSTALLATION OF PNEUMATIC PUSH-BUTTON



The push button can be installed on the top or front panel of the vanity in a variety of positions.