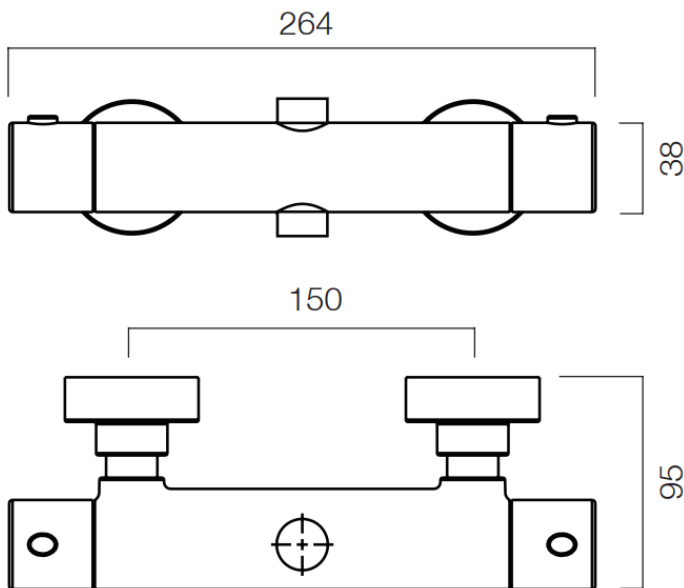


R.T. LARGE

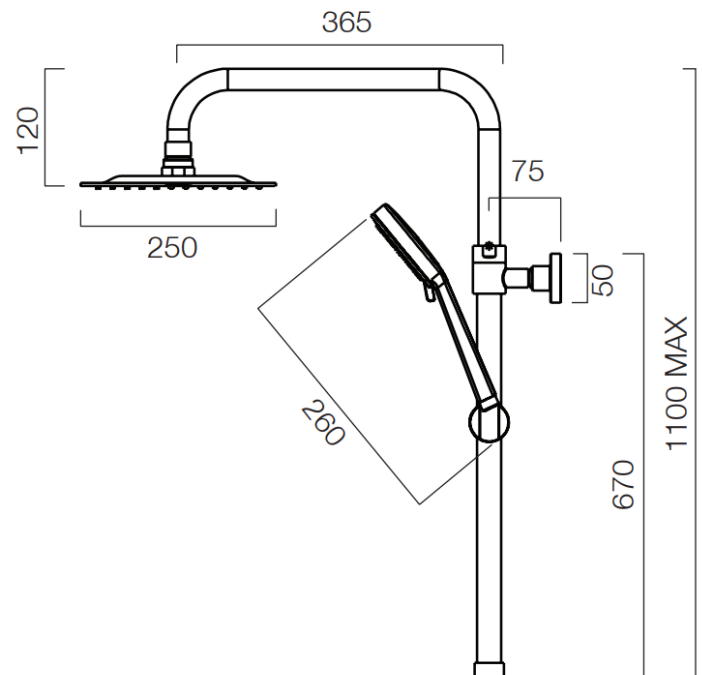
ESTABLISHED 1969

Technical Data Information

Quantum Dual Function Bar Shower System
TAVSQT1512 & TAVSQT1513



Inlet Pressure	Flow Rate (l/min)
1bar	12
2bar	17
3bar	21
4bar	24
5bar	27



INFORMATION

How tall is the riser rail? Adjustable: 760mm - 1100mm

How long is the shower hose? 1.5m

What is the minimum pressure for the valve? 1.0bar

What is the valve connection size? 1/2" BSP

All Dimensions are in millimetres. | All Dimensions in mm have a tolerance of ± 5 mm The information contained on this page was correct at date of issue. Fitting dimensions are provided as a guide only. Some variation may occur due to manufacturing tolerances. We pursue a policy of continuing improvement in design and performance of our products and so reserve the right to change specifications without prior notice.