

No.	Description	Product Code	Fixings included	Gross Weight	Net Weight
1	Cistern inc. Flush Fitting & Lid	C700S	Yes	10.02kg	9.52kg
2	Toilet Seat	TSP1129	Yes	2.5kg	2.1kg
3	Close coupled open back-to-wall pan	PF700S	Yes	27.64kg (inc.Seat)	26.38kg

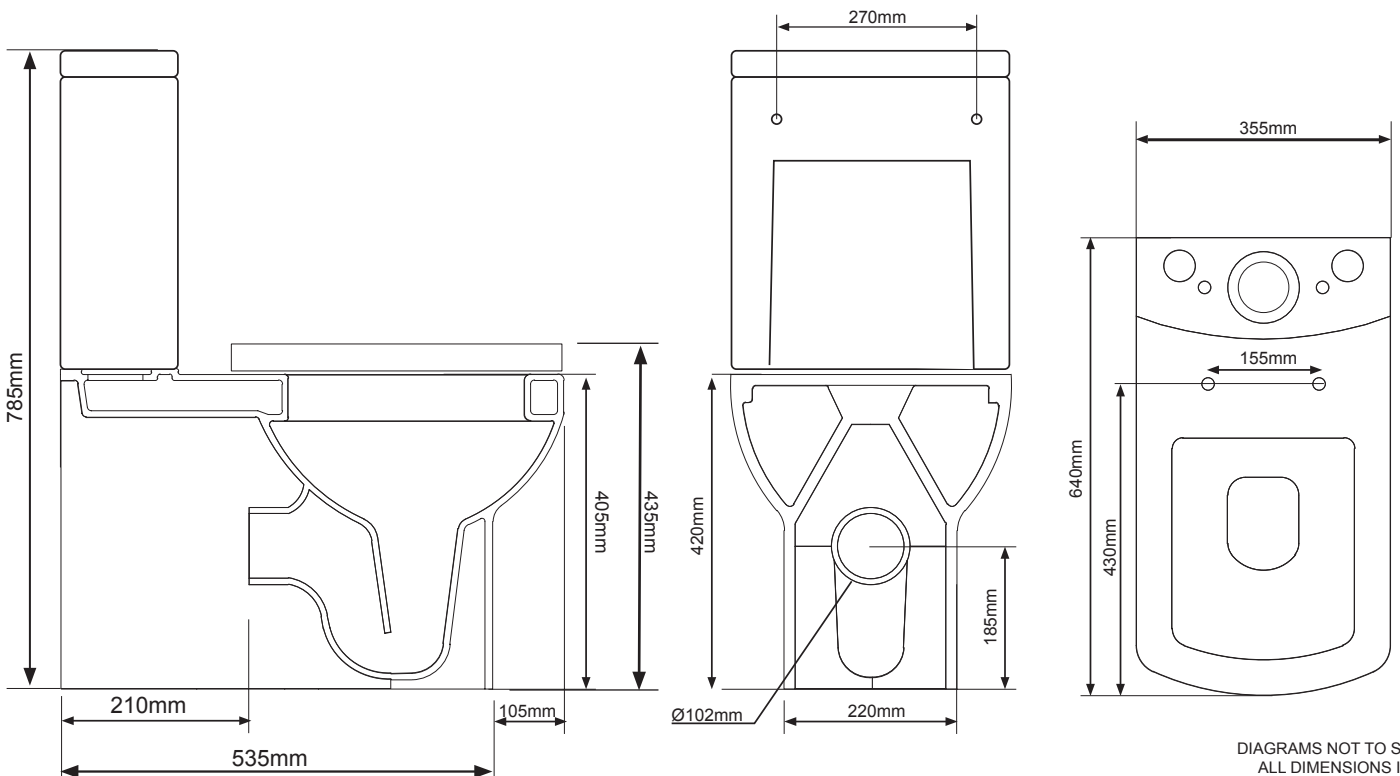
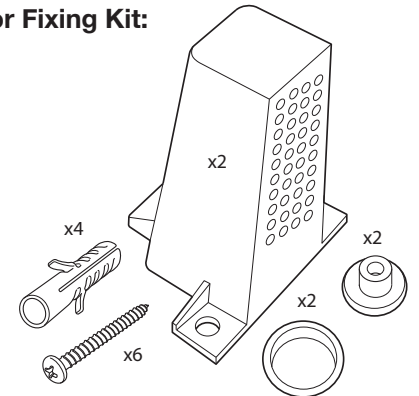


Cistern Settings:

Full Flush Volume: 6L

Reduced Flush Volume: 4L

Floor Fixing Kit:



DIAGRAMS NOT TO SCALE
ALL DIMENSIONS IN MM
TOLERANCE OF ± 5MM

FAQ's

What side is the inlet located? **Right hand side**

Are there any other compatible seats? **No**

Can this pan be used with a side connection outlet pipe? **No**

The cistern lid won't shut/the cistern isn't working correctly. **Ensure the inlet and flush valves are set to the correct heights. See "Cistern Settings" above.**