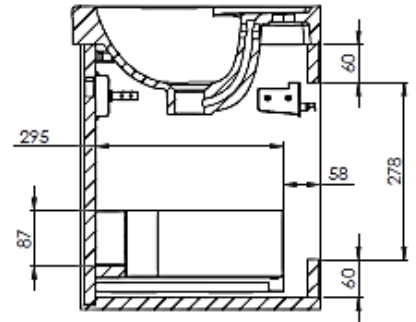
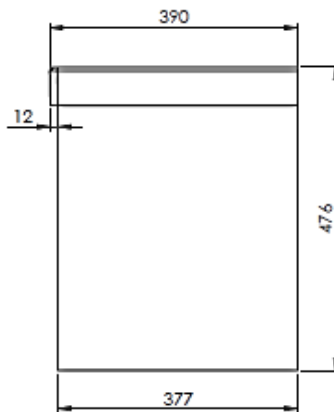
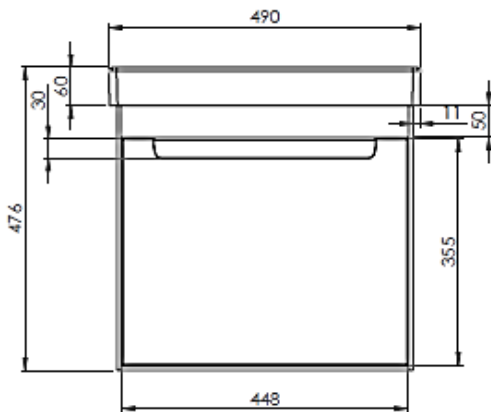


Technical Data Information

Acumen 500 Wall Mounted
TAVACU500W.XXX

R.T. LARGE

ESTABLISHED 1969



Materials

Carcass: 18mm painted MDF
Fascia components: 18mm painted MDF

Refer to basin TDS for more information.

INFORMATION

- **Plumbing Void:** 50mm required.
- **Unit depth when drawer fully open:** 775mm.
- **Drawer adjustments:** Refer to online instructions.
- **Aluminium profile trim:** It is essential and available for purchase.
- **Unit interior colour:** Dark grey.
- **Colours:** Storm Grey, White & Viridian Green.

All Dimensions are in millimetres | All Dimensions in mm have a tolerance of ± 5 mm. The information contained on this page is correct at date of issue. Fitting dimensions are provided as a guide only. Some variation may occur due to manufacturing tolerances. We pursue a policy of continuing improvement in design and performance of our products and so reserve the right to change specifications without prior notice.

R.T. LARGE

ESTABLISHED 1969



COLOUR:

Storm Grey



COLOUR:

white



COLOUR:

Viridian Green

All Dimensions are in millimetres | All Dimensions in mm have a tolerance of ± 5 mm. The information contained on this page was correct at date of issue. Fitting dimensions are provided as a guide only. Some variation may occur due to manufacturing tolerances. We pursue a policy of continuing improvement in design and performance of our products and so reserve the right to change specifications without prior notice.