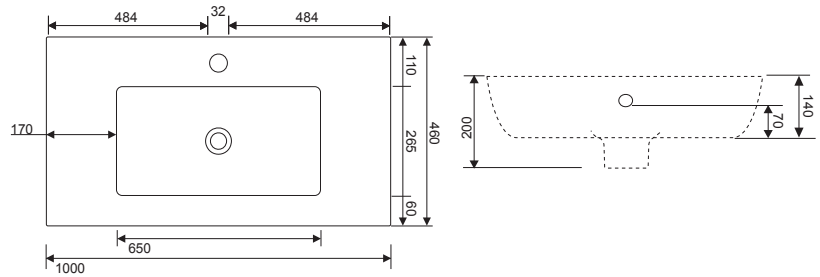
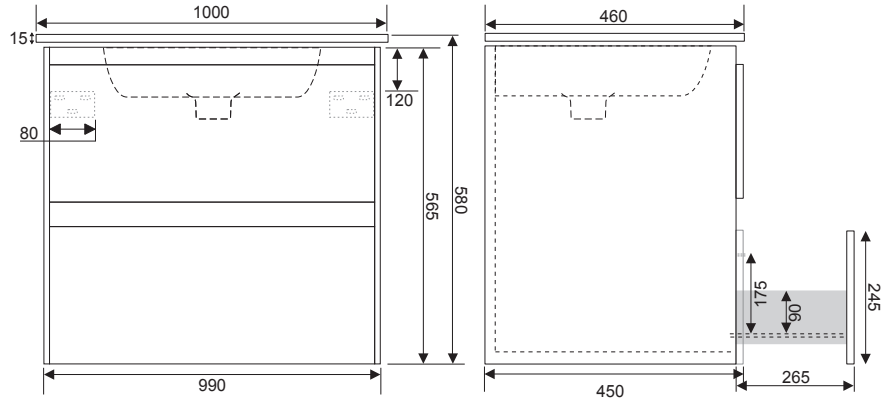


DIJON 100 WALL HUNG UNIT WITH WASHBASIN

Ceramic washbasin included - Soft close mechanism - Tap not included - 2 drawer



VANITY UNIT COLOURS



PRODUCT CODE

SLMDJ1002DWH - Gloss White

SLMDJ1002DSH - Samara Ash

MATERIAL

Fascia, Drawer Fronts, Top, Bottom & Side Panels are constructed using 18mm MDF PU Lacquered Finish Soft Close, Quick Release Metal Drawers – adjustable +/- 5mm

WEIGHT

Unit 44.05kg, Basin 12.7kg

FIXINGS

Metal Hangers - Fixing kit supplied

WASHBASIN

Slim Basin

APPROVALS

Washbasin – CE Certified EN 14688

