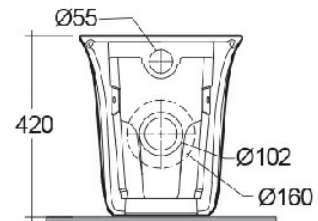
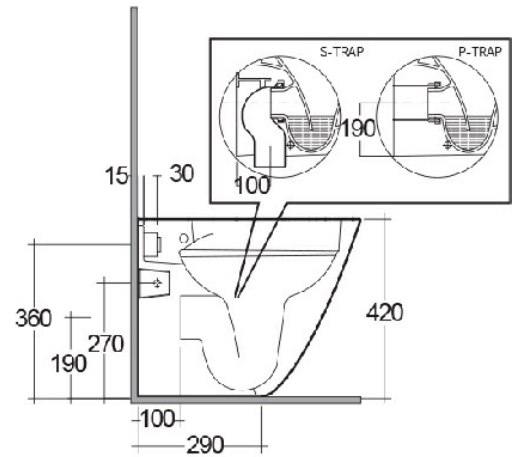
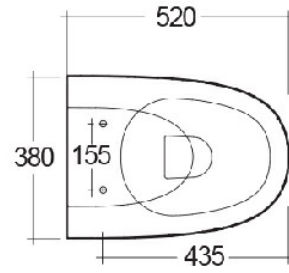


# RAK-SENSATION W/HIDDEN FIXATIONS

## Floor Standing | Water Closet

**RAK**  
CERAMICS



### Technical specifications

Dimensions: 520 x 380 mm

Weight: 25 Kg

Color: Alpine White

Trap type: P Trap & S Trap

Trapway type: Concealed

Seat cover options: Urea

Bowl shape: Oval

Suites: [RAK-SENSATION](#)

**Code**

**Name**

SENWC1346AWHA SENSATION WATER CLOSET FLOOR  
STANDING P/S-TRAP 52CM

Dimensions: All dimensions in mm tolerance  $\pm 5\%$  for below 200mm and  $\pm 3\%$  for above 200mm.

Note: Due to a continuing development programme to improve design and performance, the manufacturer reserves all rights to vary specifications without prior information.

Please note accessories are for photographic use only.