

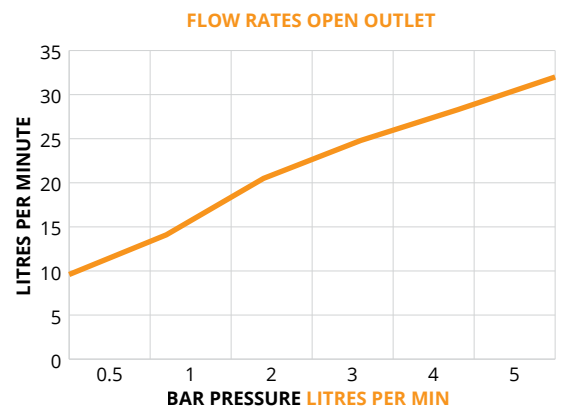
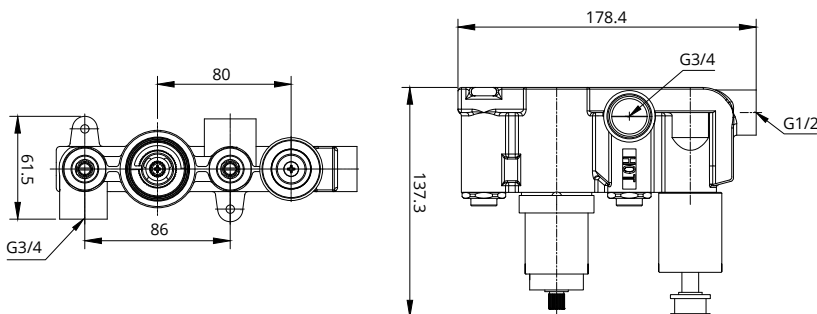
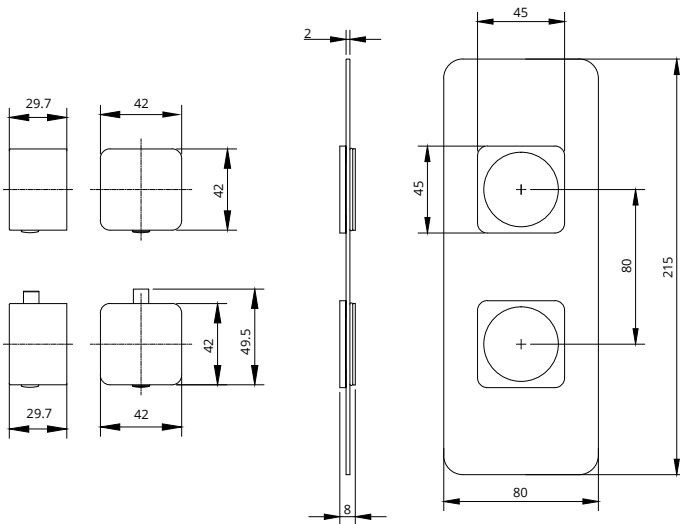
## QUANTUM

Soft Square Twin Shower Valve Single Outlet Valve

**CODE** QSQSV21CP

**MATERIAL** Brass

**APPROVALS** EN-1111-2017



Bar	Litres per min
0.5	9.6
1	14.1
2	20.5
3	24.8
4	28.3
5	32

### WARRANTY

- Warranty on taps applies to finish and main body of products, **5 years** - Chrome Finish, **2 years** - Matt Black & Brushed Gold Finishes.
- All surfaces must be cleaned with warm soapy water and dried with soft cloths only. The use of abrasive cleaners or materials will render warranty invalid. Flexible tail connections, hoses, handsets and faucets are covered by a 2 year guarantee. Do not over tighten flexible tail connections as this may result in later failure of the fitting.
- To enable each supply to be individually isolated product should be fitted with individual isolating valves, claims will be dealt with on that basis.
- Suitable access should be provided for in order for products or parts to be replaced under warranty. In the event that no access is provided, labour cost claims cannot be upheld.