

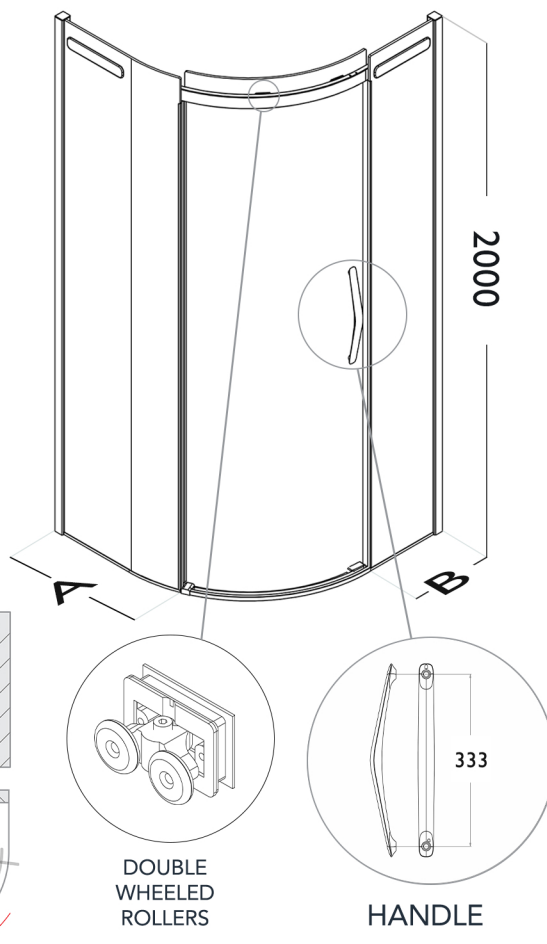
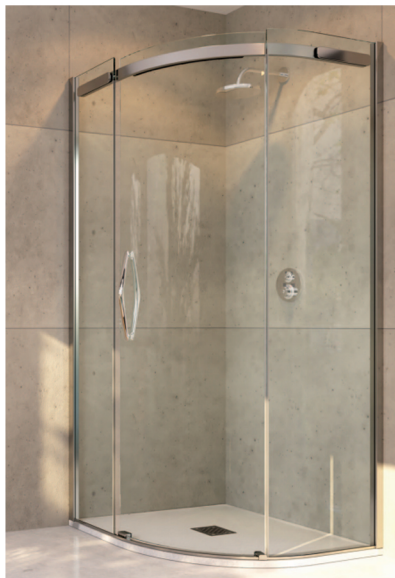
## SLIDING OFFSET QUADRANT DOOR



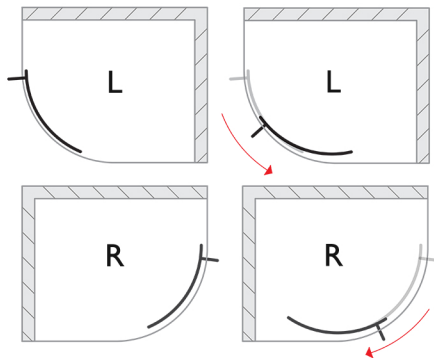
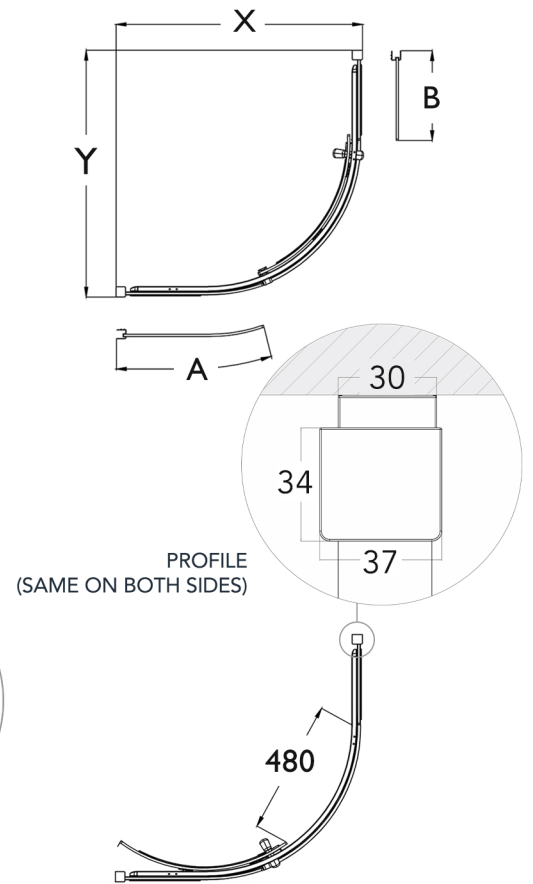
EN 14428:2015+A1:2018 (shower enclosures)  
EN 12150-1:2013 (glass in building)  
EN ISO7599 (anodizing of aluminium and its alloys)  
8mm Toughened Safety Glass  
20mm Profile Adjustment

2000mm Height  
10mm Ultra Low Bottom Rail  
Crafted Handle Design  
ClearVue Glass Coating  
Seamless Interior Cover Strips

Cushion Close Dampener Mechanism  
Patented Magnetic Guide System  
Ultra Clear Seals  
20 Year Guarantee Against Manufacturing Defects\*



(MEASUREMENTS IN MM)



## SPECIFICATIONS

| PRODUCT SIZE   | ADJUSTMENT    |               | GLASS PANEL |       | DOOR ACCESS | PRODUCT WEIGHT | PRODUCT CODE   |                |
|----------------|---------------|---------------|-------------|-------|-------------|----------------|----------------|----------------|
|                | X (min - max) | Y (min - max) | A           | B     |             |                | SILVER         | BLACK          |
| 1000 X 800mm L | 970 - 990mm   | 770 - 790mm   | 625mm       | 216mm | 480mm       | 72.50kg        | OROSQ80X100LSC | N/A            |
| 1000 X 800mm R | 970 - 990mm   | 770 - 790mm   | 625mm       | 216mm | 480mm       | 72.50kg        | OROSQ80X100RSC | N/A            |
| 1000 X 900mm L | 970 - 990mm   | 870 - 890mm   | 625mm       | 316mm | 480mm       | 76.50kg        | OROSQ90X100LSC | N/A            |
| 1000 X 900mm R | 970 - 990mm   | 870 - 890mm   | 625mm       | 316mm | 480mm       | 76.50kg        | OROSQ90X100RSC | N/A            |
| 1200 X 800mm L | 1170 - 1190mm | 770 - 790mm   | 825mm       | 216mm | 480mm       | 76.00kg        | OROSQ80X120LSC | OROSQ80X120LSC |
| 1200 X 800mm R | 1170 - 1190mm | 770 - 790mm   | 825mm       | 216mm | 480mm       | 76.00kg        | OROSQ80X120RSC | OROSQ80X120RSC |
| 1200 X 900mm L | 1170 - 1190mm | 870 - 890mm   | 825mm       | 316mm | 480mm       | 80.00kg        | OROSQ90X120LSC | OROSQ90X120LSC |
| 1200 X 900mm R | 1170 - 1190mm | 870 - 890mm   | 825mm       | 316mm | 480mm       | 80.00kg        | OROSQ90X120RSC | OROSQ90X120RSC |

+353 42 966 8000 | flairshowers.com | sales@flairshowers.com

All data presented may be subjected to change without prior notice. Flair Showers does the best it can to provide accurate information. Flair Showers unfortunately cannot guarantee this, and accept no liability for any information / advice given.

\* Excludes perishable items such as rollers, seals, hinges, etc.

