

INLINE PANEL

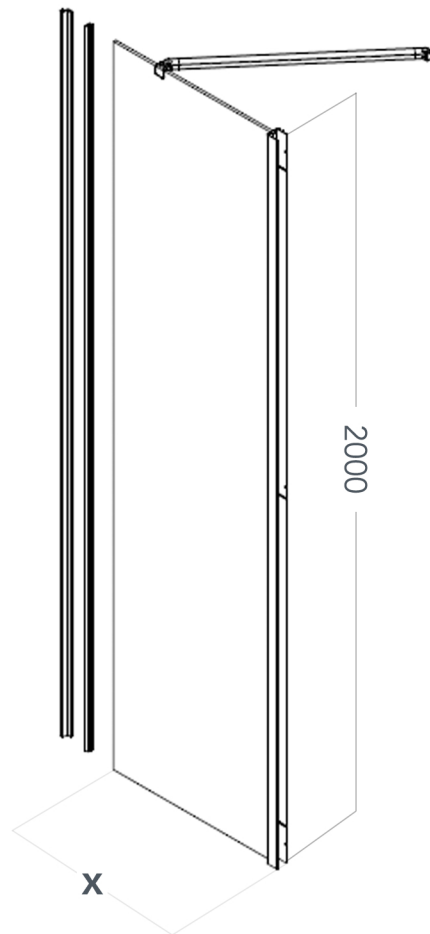
To be paired with **ORO HINGE DOOR 760MM - 1600MM**



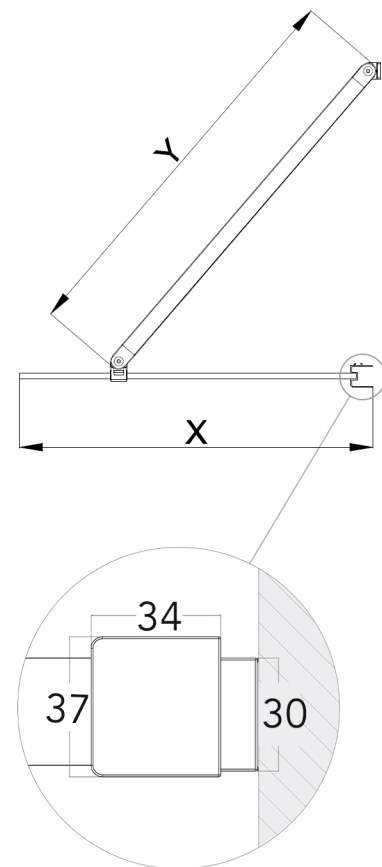
- EN 14428:2015+A1:2018 (shower enclosures)
- EN 12150-1:2013 (glass in building)
- EN ISO7599 (anodizing of aluminium and its alloys)
- 8mm Toughened Safety Glass
- 20mm Profile Adjustment

- 2000mm Height
- ClearVue Glass Coating
- Positive Magnetic Close
- Stabilizing Bar Included (300mm - 600mm Hinge Doors only)

- Seamless Interior Cover Strips
- Ultra Clear Seals
- 20 Year Guarantee** Against Manufacturing Defects*



(MEASUREMENTS IN MM)



SPECIFICATIONS

PRODUCT SIZE	ADJUSTMENT X (min - max)	STABILIZING BAR Y	PRODUCT WEIGHT	PRODUCT CODE	
				SILVER	BLACK
100mm	131 - 151mm	N/A	7.00kg	OROIL0SC	N/A
200mm	231 - 251mm	N/A	12.00kg	OROIL20SC	N/A
300mm	331 - 351mm	400	16.00kg	OROIL30SC	OROIL30BC
400mm	431 - 451mm	500	20.00kg	OROIL40SC	OROIL40BC
500mm	531 - 551mm	600	25.00kg	OROIL50SC	N/A
600mm	631 - 651mm	700	29.00kg	OROIL60SC	N/A

Stabilising bar not supplied / required for the highlighted sizes.

+353 42 966 8000 | flairshowers.com | sales@flairshowers.com

All data presented may be subjected to change without prior notice. Flair Showers does the best it can to provide accurate information. Flair Showers unfortunately cannot guarantee this, and accept no liability for any information / advice given.

* Excludes perishable items such as rollers, seals, hinges, etc.

