

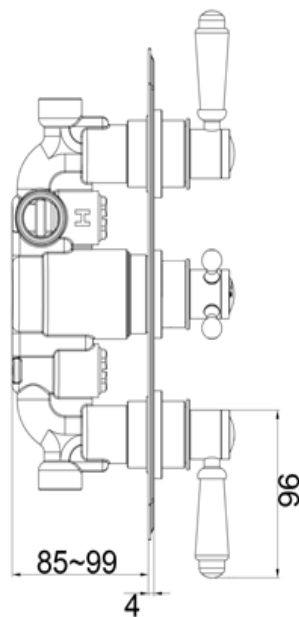
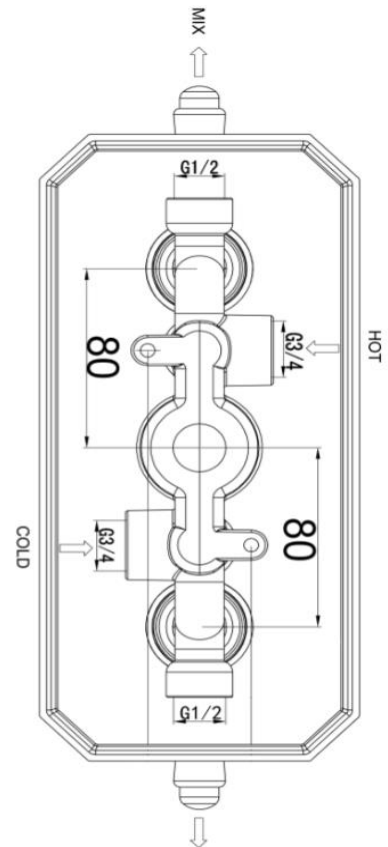
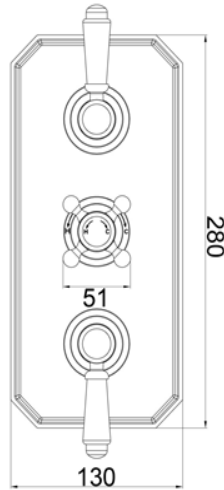
TECHNICAL DATA SHEET

R.T. LARGE

ESTABLISHED 1969

KYL700 Traditional 2-way Concealed Thermostatic Shower

Barcode	7081242488101
Product Code	KYL700
Construction	Brass Body: (CuZn38b18); Handle: Zinc Alloy; Wall Plate: Brass
Finishes	Chrome plated to BS EN 248
Product Type	Contemporary
Water Pressure	Min. 0.5 bar, Max. 6.0 bar
Plumbing Systems	Suitable for all plumbing systems, preferably balanced Min. supply pressure differential requirement is 5:1
Standards	Complies with BSEN 1111
Certification	Manufactured to comply with TMV2
Check valve	0.5-10 gpm (EN1717)
Cartridge	Thermostatic
Fitting	Inlet: 3/4" Femal thread, Outlet: 1/2" female thread
Packaging	55.5 x 31.0 x 21.0cm / carton (4 boxes), Dimension: 31.5 x 20 x 13.5cm / box; Weight: 4.20Kg / box
Guarantee	10 years against manufacturing faults (excluding serviceable parts)
Additional Information	1. Temperature: Pre-set 38°C, with push button override to 48°C 2. Automatic shut off in the event of hot or cold water supply failure 3. Brass wall plate



Flow Rates (Litres per minute)

System Pressure	0.1 Bar	0.2 Bar	0.3 Bar	0.5 Bar	1.0 Bar	1.5 Bar	2.0 Bar	3.0 Bar	4.0 Bar	5.0 Bar
KYL700	-	-	-	13.5	19.5	22.8	27.7	34.2	39.5	44.2

The information contained on this page was correct at date of issue. Fitting dimensions are provided as a guide only. Some variation may occur due to manufacturing tolerances. We pursue a policy of continuing improvement in design and performance of our products and so reserve the right to change specifications without prior notice.