

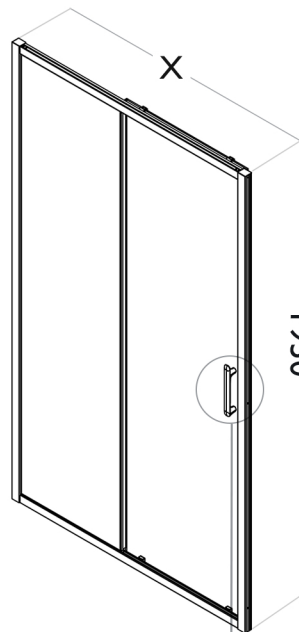
SLIDER DOOR



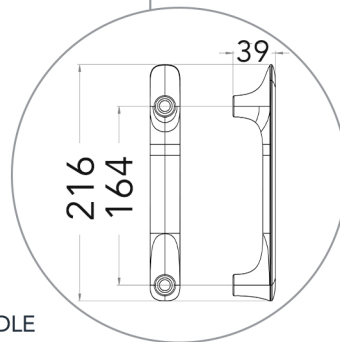
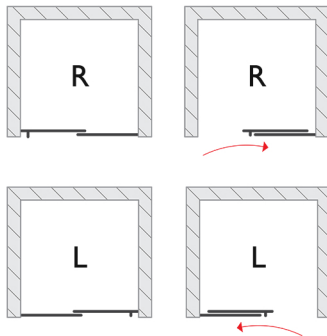
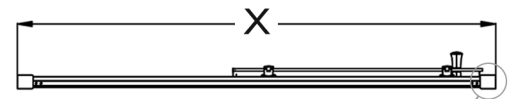
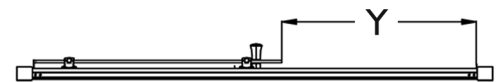
EN 14428:2015+A1:2018 (shower enclosures)
EN 12150-1:2013 (glass in building)
EN ISO7599 (anodizing of aluminium and its alloys)
6mm Toughened Safety Glass
25mm Profile Adjustment
1950mm Height

ClearVue Glass Coating
Reversible
Chrome Plated Handle
Ultra Clear PVC Seals
Silent Wheel Roller Mechanism
Press Fit Seal Design

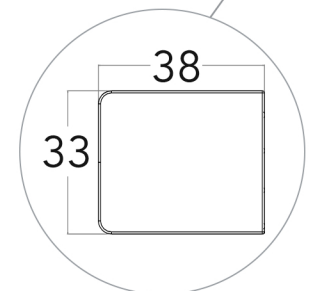
Chrome Plated ABS Cover Caps
Seamless Interior Cover Strips
Quick Release Double Wheel Rollers
25mm Wall Profile Extension Available
Shower Tray or Wetroom Installation
20 Year Guarantee Against Manufacturing Defects*



(MEASUREMENTS IN MM)



HANDLE



PROFILE
(identical on both sides)

SPECIFICATIONS

PRODUCT SIZE	ADJUSTMENT X (min - max)	DOOR ACCESS Y	DIMENSION A	PRODUCT WEIGHT	PRODUCT CODE		
					SILVER	BRUSHED BRASS	MATTE BLACK
1000mm	950 - 1000mm	370mm	430mm	35.00kg	ILISA100SC	ILISA100BRBC	ILISA100BC
1100mm	1050 - 1100mm	420mm	480mm	38.00kg	ILISA110SC	ILISA110BRBC	ILISA110BC
1200mm	1150 - 1200mm	470mm	530mm	41.00kg	ILISA120SC	ILISA120BRBC	ILISA120BC
1250mm	1200 - 1250mm	495mm	555mm	42.00kg	ILISA125SC	N/A	N/A
1300mm	1250 - 1300mm	520mm	580mm	46.00kg	ILISA130SC	N/A	ILISA130BC
1400mm	1350 - 1400mm	570mm	630mm	49.00kg	ILISA140SC	ILISA140BRBC	ILISA140BC
1500mm	1450 - 1500mm	570mm	730mm	52.00kg	ILISA150SC	ILISA150BRBC	ILISA150BC
1600mm	1550 - 1600mm	570mm	830mm	55.00kg	ILISA160SC	N/A	ILISA160BC
1700mm	1650 - 1700mm	570mm	930mm	60.00kg	ILISA170SC	N/A	ILISA170BC

+353 42 966 8000 | flairshowers.com | sales@flairshowers.com

All data presented may be subjected to change without prior notice. Flair Showers does the best it can to provide accurate information. Flair Showers unfortunately cannot guarantee this, and accept no liability for any information / advice given.

* Excludes perishable items such as rollers, seals, hinges, etc.

