

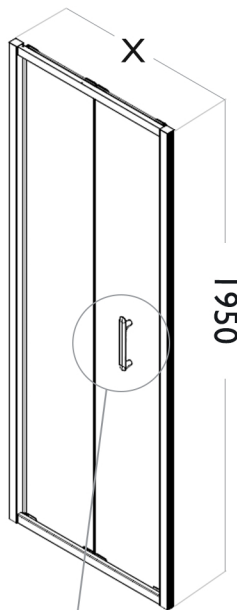
# BIFOLD DOOR



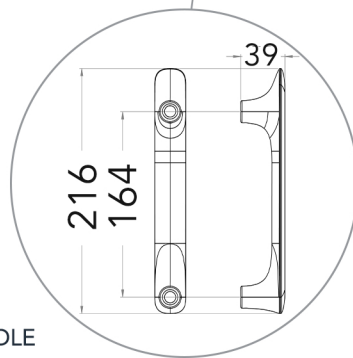
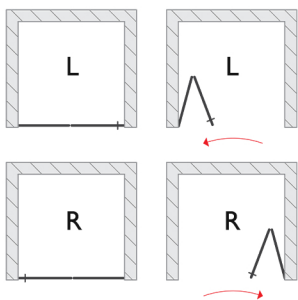
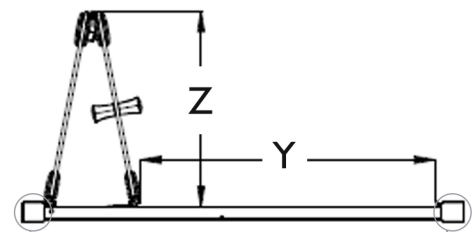
- EN 14428:2015+A1:2018 (shower enclosures)
- EN 12150-1:2013 (glass in building)
- EN ISO7599 (anodizing of aluminium and its alloys)
- 6mm Toughened Safety Glass
- 25mm Profile Adjustment
- 1950mm Height

- ClearVue Glass Coating
- Anodised Aluminium Profiles
- Reversible
- 25mm Wall Profile Extension Available
- Chrome Plated Handle
- Ultra Clear PVC Seals

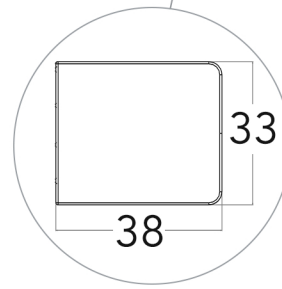
- Chrome Plated ABS Cover Caps
- Seamless Interior Cover Strips
- Magnetic Closure
- Space Saving Solution
- Pre-Assembled Door Frame on Bifold / Hinge Door
- 20 Year Guarantee Against Manufacturing Defects\*



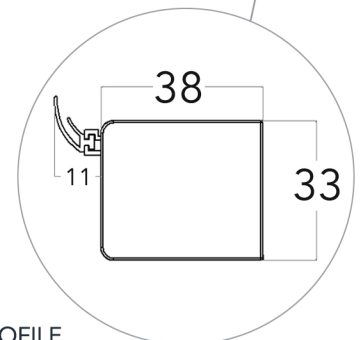
(MEASUREMENTS IN MM)



HANDLE



PROFILE  
(hinge side)



PROFILE  
(handle side)

## SPECIFICATIONS

PRODUCT SIZE	ADJUSTMENT X (min - max)	DOOR ACCESS Y	INTRUSION Z	PRODUCT WEIGHT	PRODUCT CODE	
					SILVER	BRUSHED BRASS
760mm	710 - 760mm	470mm	312mm	26.00kg	ILIBF76SC	N/A
800mm	750 - 800mm	510mm	333mm	27.00kg	ILIBF80SC	ILIBF80BRBC
850mm	800 - 850mm	518mm	353mm	28.00kg	ILIBF85SC	N/A
900mm	850 - 900mm	568mm	379mm	30.00kg	ILIBF90SC	ILIBF90BRBC
1000mm	950 - 1000mm	668mm	430mm	36.00kg	ILIBF100SC	ILIBF100BRBC

+353 42 966 8000 | [flairshowers.com](http://flairshowers.com) | [sales@flairshowers.com](mailto:sales@flairshowers.com)

All data presented may be subjected to change without prior notice. Flair Showers does the best it can to provide accurate information. Flair Showers unfortunately cannot guarantee this, and accept no liability for any information / advice given.

\* Excludes perishable items such as rollers, seals, hinges, etc.

