



# ONE DOOR SLIDING OFFSET QUADRANT



EN 14428:2015+A1:2018 (shower enclosures)

EN 12150-1:2013 (glass in building)

EN ISO7599 (anodizing of aluminium and its alloys)

6mm Toughened Safety Glass

25mm Profile Adjustment

1950mm Height

ClearVue Glass Coating

Reversible

Chrome Plated Handle

Ultra Clear PVC Seals

Press Fit Seal Design

Chrome Plated ABS Cover Caps

Seamless Interior Cover Strips

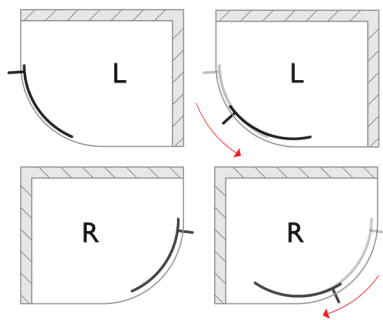
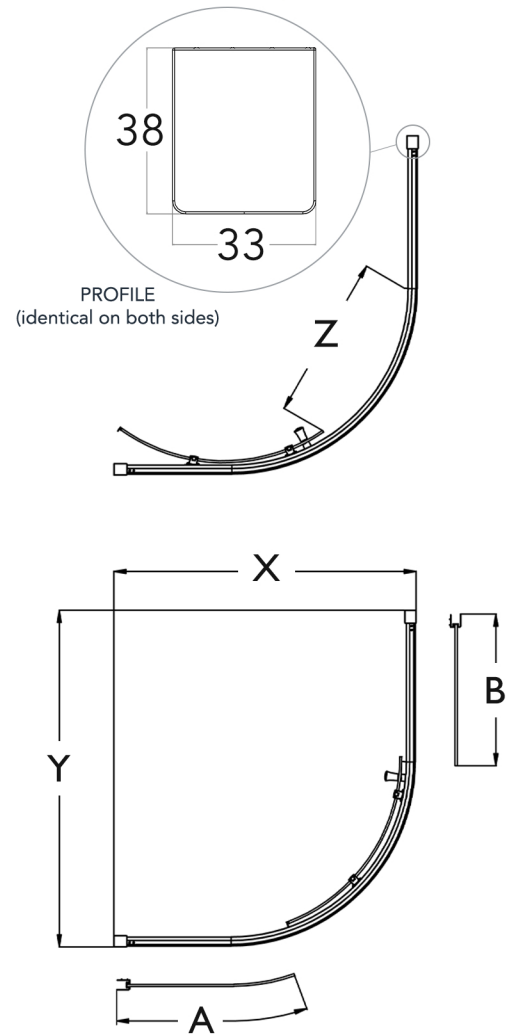
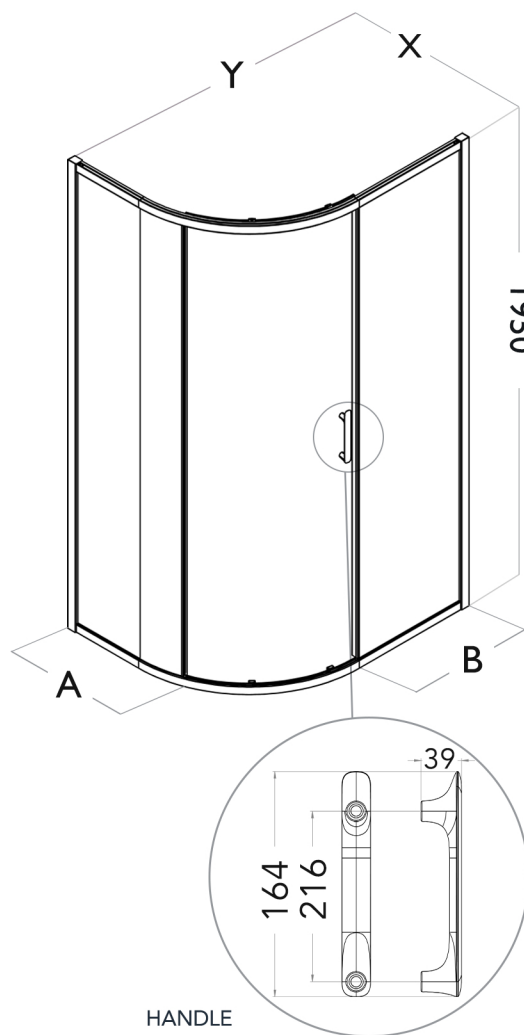
25mm Wall Profile Extension Available

Shower Tray or Wetroom Installation

Silent Wheel Roller Mechanism

Quick Release Double Wheel Rollers

20 Year Guarantee Against Manufacturing Defects\*



## SPECIFICATIONS

PRODUCT SIZE	ADJUSTMENT		ACCESS Z	GLASS PANEL		PRODUCT WEIGHT	PRODUCT CODE		
	X (min - max)	Y (min - max)		A	B		SILVER	BRUSHED BRASS	MATTE BLACK
800 X 1000mm	770 - 795mm	970 - 995mm	436mm	477mm	437mm	55.00kg	ILICOQ80X100SC	N/A	ILICOQ80X100BC
800 X 1200mm	770 - 795mm	1170 - 1195mm	436mm	477mm	637mm	62.00kg	ILICOQ80X120SC	ILICOQ80X120BRBC	ILICOQ80X120BC
900 X 1200mm	870 - 895mm	1170 - 1195mm	485mm	517mm	637mm	63.00kg	ILICOQ90X120SC	ILICOQ90X120BRBC	ILICOQ90X120BC

+353 42 966 8000 | [flairshowers.com](http://flairshowers.com) | [sales@flairshowers.com](mailto:sales@flairshowers.com)

All data presented may be subjected to change without prior notice. Flair Showers does the best it can to provide accurate information. Flair Showers unfortunately cannot guarantee this, and accept no liability for any information / advice given.

\* Excludes perishable items such as rollers, seals, hinges, etc.

