

SLIDER DOOR

EN 14428:2015+A1:2018 (shower enclosures)

EN 12150-1:2013 (glass in building)

EN ISO7599 (anodizing of aluminium and its alloys)

6mm Toughened Safety Glass (Moving Glass)

4mm Toughened Safety Glass (Fixed Glass)

50mm Profile Adjustment

1850mm Height

Chrome Plated Handles

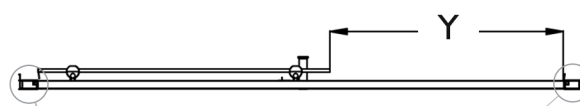
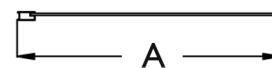
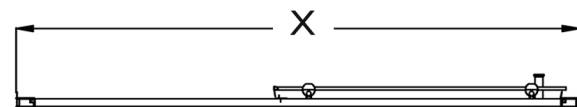
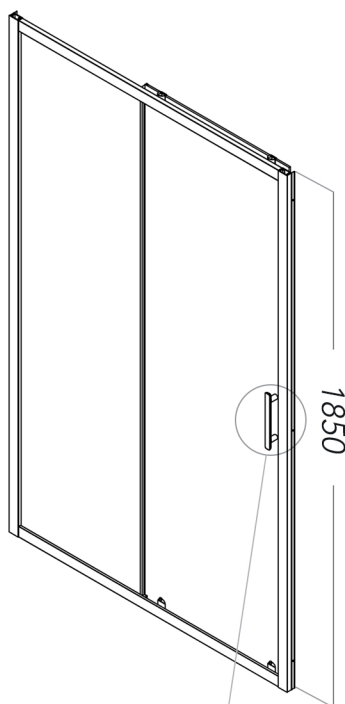
Reversible

Positive Magnetic Close Action

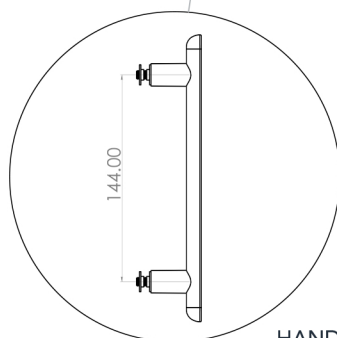
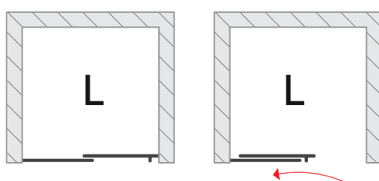
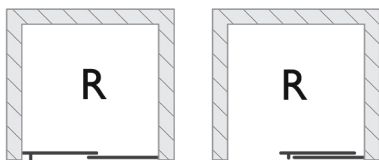
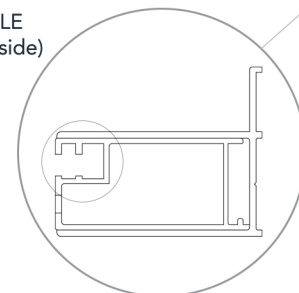
Quick Release Single Wheel Rollers

ClearVue Glass Coating

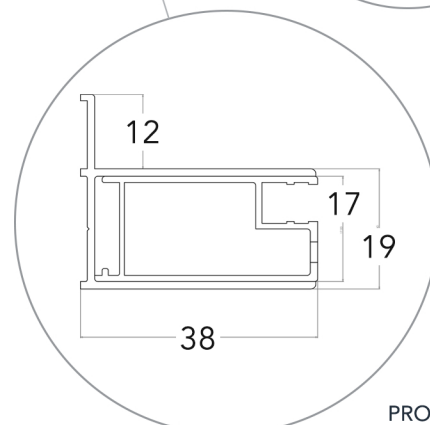
10 Year Guarantee Against Manufacturing Defects*



PROFILE
(Handle side)



HANDLE



PROFILE
(Opposite handle side)

SPECIFICATIONS

PRODUCT SIZE	ADJUSTMENT X (min - max)	DOOR ACCESS Y	GLASS PANEL A	PRODUCT WEIGHT	PRODUCT CODE SILVER
1000mm	950 - 1000mm	376mm	438mm	27.00kg	HYSA100SC
1100mm	1050 - 1100mm	426mm	488mm	29.50kg	HYSA110SC
1200mm	1150 - 1200mm	476mm	538mm	32.00kg	HYSA120SC

+353 42 966 8000 | flairshowers.com | sales@flairshowers.com

All data presented may be subjected to change without prior notice. Flair Showers does the best it can to provide accurate information. Flair Showers unfortunately cannot guarantee this, and accept no liability for any information / advice given.

* Excludes perishable items such as rollers, seals, hinges, etc.

