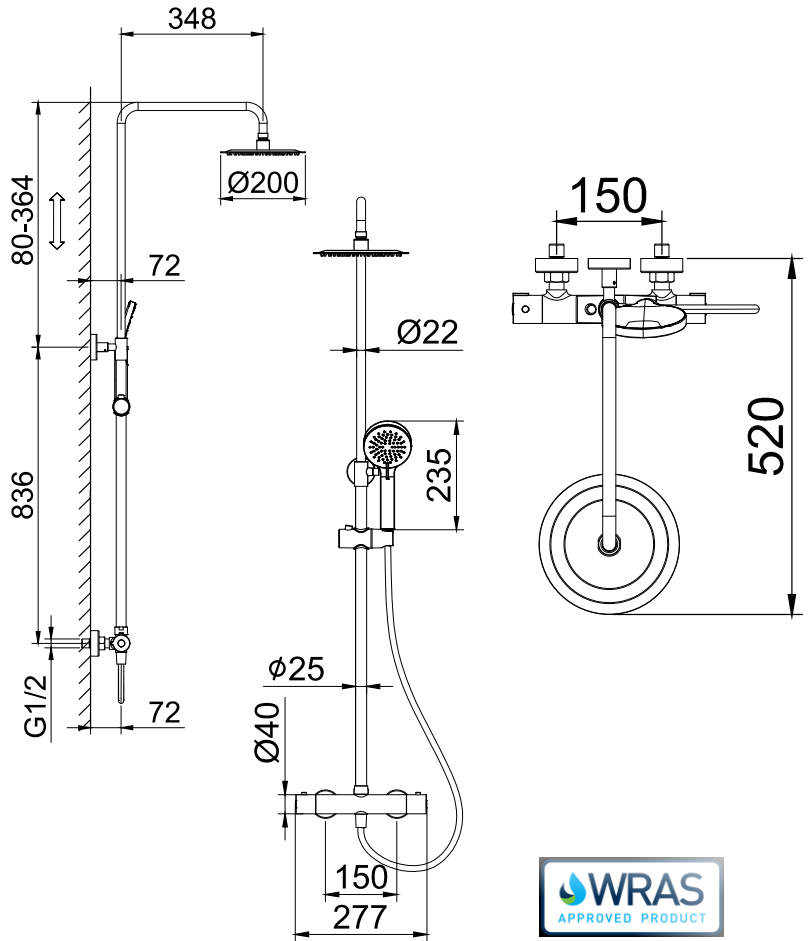


TECHNICAL DATA SHEET

GJET500 Thermostatic Shower Mixer With Riser Rail Kit

Barcode	
Product Code	GJET500
Construction	Brass Body (CuZn38Pb18)
Finishes	Chrome plated to BS EN 248
Product Type	Contemporary
Water Pressure	Min. 0.5 bar, Max. 6.0 bar
Plumbing Systems	Suitable for all plumbing systems, preferably balanced Min. supply pressure differential requirement is 5:1
Standards	Complies with BSEN 1111
Certification	WRAS approved and certified; Manufactured to comply with TMV2
Cartridge	Thermostatic
Fitting	Escutcheon
Packaging	81.5 x 41.5 x 38.5cm / carton (4 boxes), Dimension: 79.5 x 38 x 8cm / box; Weight: 4.45Kg / box
Guarantee	10 years against manufacturing faults (excluding serviceable parts)
Additional Information	<ol style="list-style-type: none"> 1. Temperature: Pre-set 38°C, with push button override to 48°C 2. Automatic shut off in the event of hot or cold water supply failure 3. Ultra-slim Shower head : 200mm, SS304, Air induction Thin Head 4. Shower handset : Chrome, 3-mode, ABS 5. Shower hose : Chrome, stainless steel, double interlock, 1.5m



Flow Rates (Litres per minute)

System Pressure	0.1 Bar	0.2 Bar	0.3 Bar	0.5 Bar	1.0 Bar	1.5 Bar	2.0 Bar	3.0 Bar	4.0 Bar	5.0 Bar
GJET500	4.3	5.6	6.7	8.5	11.8	14.4	16.5	20.2	23.2	26.0

The information contained on this page was correct at date of issue. Fitting dimensions are provided as a guide only. Some variation may occur due to manufacturing tolerances. We pursue a policy of continuing improvement in design and performance of our products and so reserve the right to change specifications without prior notice.