

PIVOT DOOR



EN 14428:2015+A1:2018 (shower enclosures)

EN 12150-1:2013 (glass in building)

6mm Toughened Safety Glass

50mm Product Adjustment

1950mm Height

25mm Wall Profile Extension Available

Clean Easy Coating

Magnetic Closure

Easy Access Solution

Suitable Side Panel Installation

Suitable for 2 Inline Panel Installation

Reversible for Left or Right Handed Installation

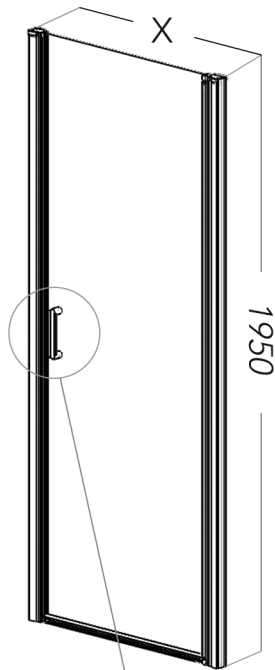
Suitable for Wetroom or Shower Tray Installation

Inline Panel with Shelves Option Available

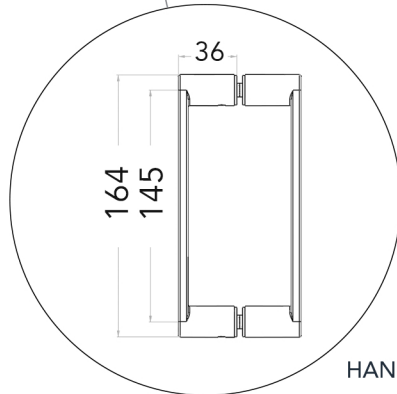
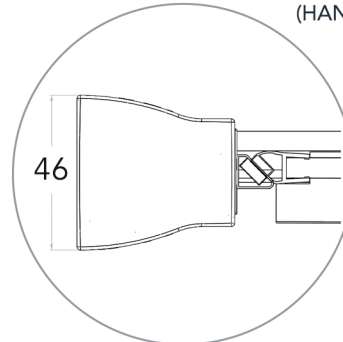
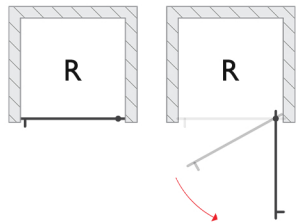
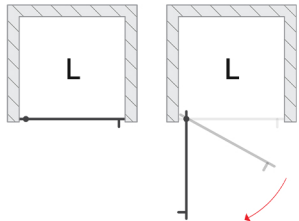
20 Year Guarantee Against Manufacturing Defects*



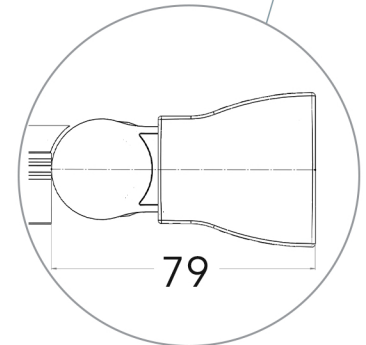
(MEASUREMENTS IN MM)



PROFILE (HANDLE SIDE)



HANDLE



PROFILE (pivot side)

SPECIFICATIONS

PRODUCT SIZE	ADJUSTMENT X (min - max)	DOOR ACCESS	EXTRUSION	PRODUCT WEIGHT	PRODUCT CODE	
					SILVER	BLACK
700mm	650 - 700mm	513mm	512mm	25.00kg	FFPD70SC	FFPD70BC
800mm	750 - 800mm	613mm	612mm	28.00kg	FFPD80SC	FFPD80BC
900mm	850 - 900mm	713mm	712mm	31.00kg	FFPD90SC	FFPD90BC
1000mm	950 - 1000mm	813mm	812mm	34.00kg	FFPD100SC	FFPD100BC

+353 42 966 8000 | flairshowers.com | sales@flairshowers.com

All data presented may be subjected to change without prior notice. Flair Showers does the best it can to provide accurate information. Flair Showers unfortunately cannot guarantee this, and accept no liability for any information / advice given.

* Excludes perishable items such as rollers, seals, hinges, etc.

