

ONE DOOR QUADRANT

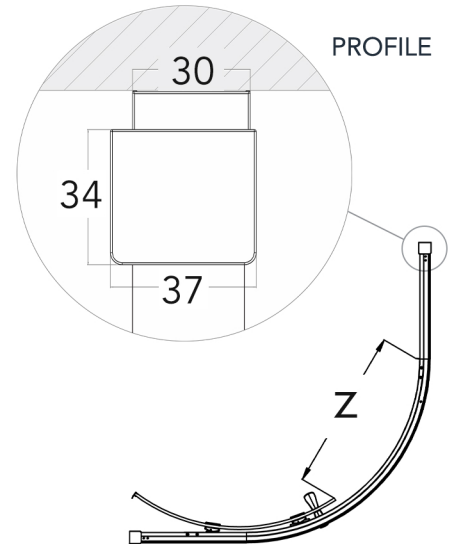
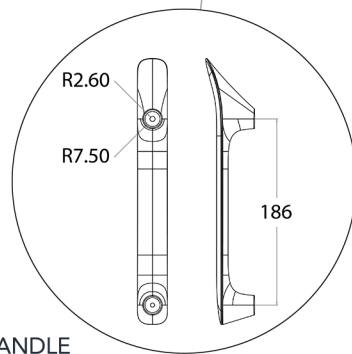
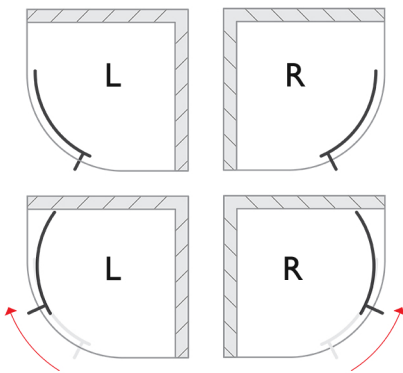
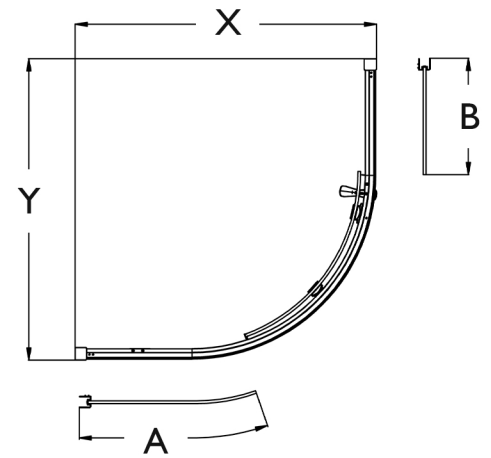
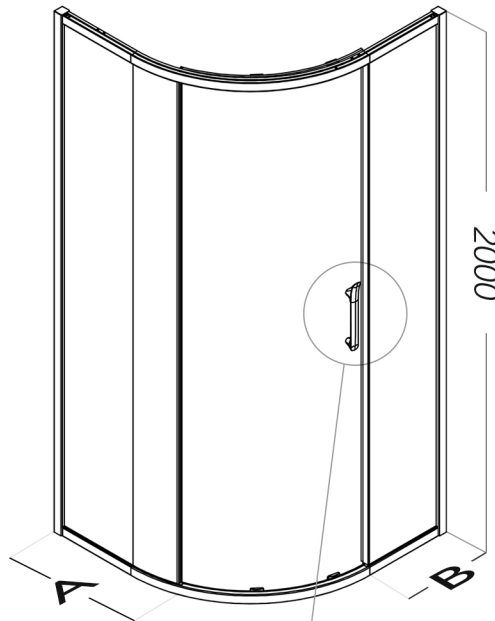


- EN 14428:2015+A1:2018 (shower enclosures)
- EN 12150-1:2013 (glass in building)
- EN ISO7599 (anodizing of aluminium and its alloys)
- 8mm Toughened Safety Glass
- 20mm Profile Adjustment

- 2000mm Height
- Shower Tray or Wetroom Application
- ClearVue Glass Coating
- Ultra Slim Chrome Plated Cover Caps
- Magnetic Cushion Close Door System

- Seamless Interior Cover Strips
- Reversible
- Press Fit Seal Design
- Ultra Clear Seals
- Crafted Handle Design
- 20 Year Guarantee Against Manufacturing Defects*

(MEASUREMENTS IN MM)



SPECIFICATIONS

PRODUCT SIZE	ADJUSTMENT		ACCESS Z	GLASS PANEL		PRODUCT WEIGHT	PRODUCT CODE		
	X (min - max)	Y (min - max)		A	B		SILVER	BLACK	BRUSHED BRASS
800mm	770 - 790mm	770 - 790mm	440mm	484mm	221mm	60.00kg	ETOOCQ80SC	N/A	N/A
900mm	870 - 890mm	870 - 890mm	484mm	515mm	336mm	68.00kg	ETOOCQ90SC	ETOOCQ90BC	ETOOCQ90BRBC
1000mm	970 - 990mm	970 - 990mm	484mm	615mm	436mm	76.00kg	ETOOCQ100SC	N/A	N/A

+353 42 966 8000 | flairshowers.com | sales@flairshowers.com

All data presented may be subjected to change without prior notice. Flair Showers does the best it can to provide accurate information. Flair Showers unfortunately cannot guarantee this, and accept no liability for any information / advice given.

* Excludes perishable items such as rollers, seals, hinges, etc.

