

ONE DOOR OFFSET QUADRANT



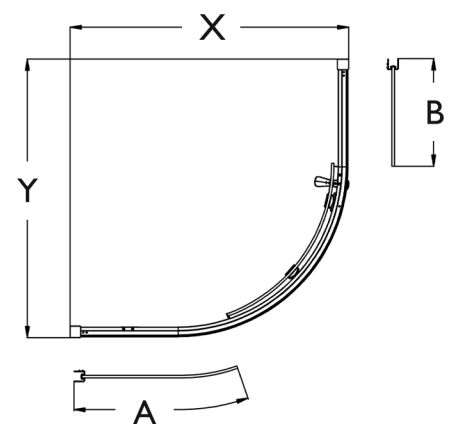
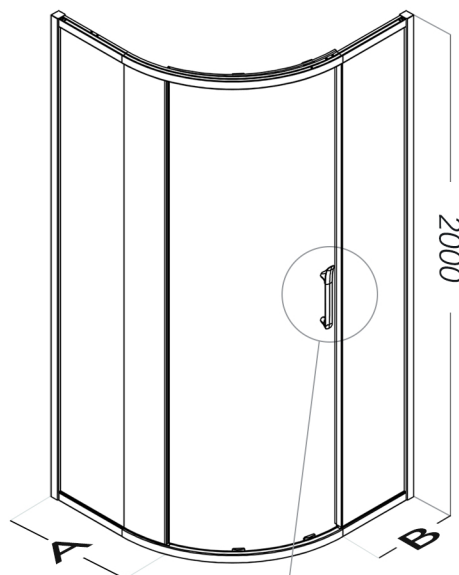
EN 14428:2015+A1:2018 (shower enclosures)
EN 12150-1:2013 (glass in building)
EN ISO7599 (anodizing of aluminium and its alloys)
8mm Toughened Safety Glass
20mm Profile Adjustment

2000mm Height
Shower Tray or Wetroom Application
ClearVue Glass Coating
Ultra Slim Chrome Plated Cover Caps
Magnetic Cushion Close Door System

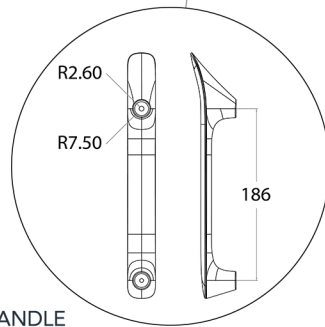
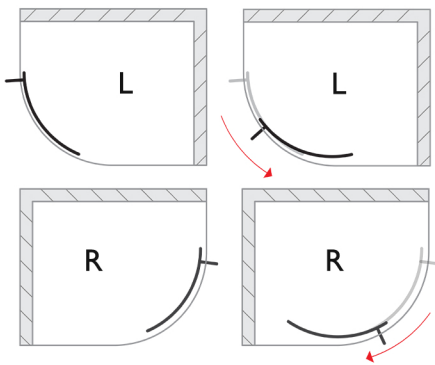
Seamless Interior Cover Strips
Reversible
Press Fit Seal Design
Ultra Clear Seals
Crafted Handle Design

20 Year Guarantee Against Manufacturing Defects*

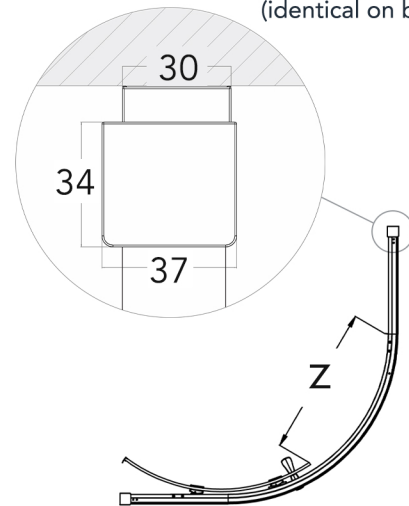
(MEASUREMENTS IN MM)



PROFILE
(identical on both sides)



HANDLE



SPECIFICATIONS

PRODUCT SIZE	ADJUSTMENT		ACCESS Z	GLASS PANEL		PRODUCT WEIGHT	PRODUCT CODE		
	X (min - max)	Y (min - max)		A	B		SILVER	BLACK	BRUSHED BRASS
1000 X 800mm	970 - 990mm	770 - 790mm	440mm	484mm	421mm	68.00kg	ETOOCQ100X80SCL	ETOOCQ100X80BCL	ETOOCQ100X80BRBCL
1200 X 800mm	1170 - 1190mm	770 - 790mm	440mm	484mm	621mm	76.00kg	ETOOCQ120X80SCL	ETOOCQ120X80BCL	ETOOCQ120X80BRBCL
1200 X 900mm	1170 - 1190mm	870 - 890mm	484mm	515mm	636mm	80.00kg	ETOOCQ120X90SCL	ETOOCQ120X90BCL	ETOOCQ120X90BRBCL

+353 42 966 8000 | flairshowers.com | sales@flairshowers.com

All data presented may be subjected to change without prior notice. Flair Showers does the best it can to provide accurate information. Flair Showers unfortunately cannot guarantee this, and accept no liability for any information / advice given.

* Excludes perishable items such as rollers, seals, hinges, etc.

