

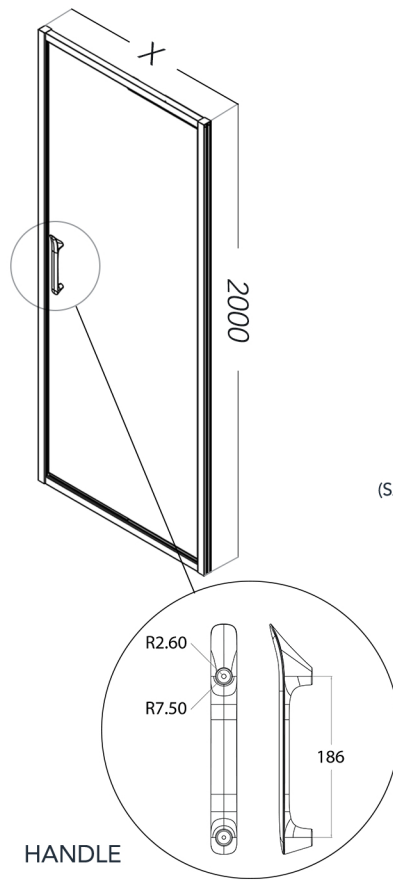
INFOLD DOOR



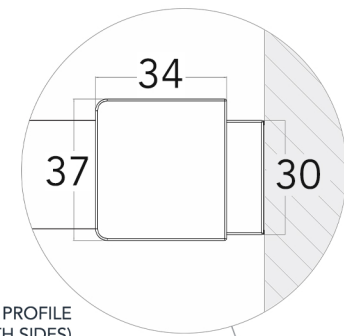
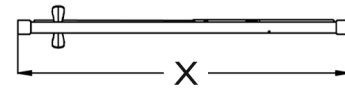
- EN 14428:2015+A1:2018 (shower enclosures)
- EN 12150-1:2013 (glass in building)
- EN ISO7599 (anodizing of aluminium and its alloys)
- 8mm Toughened Safety Glass
- 20mm Profile Adjustment

- 2000mm Height
- Crafted Handle Design
- ClearVue Glass Coating
- Ultra Slim Chrome Plated Cover Caps
- Pre-Assembled Profile Frame

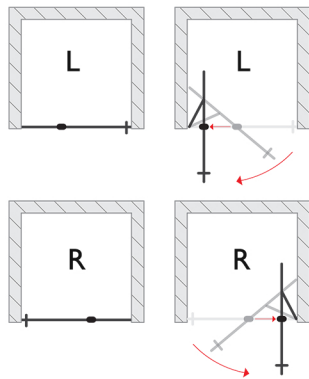
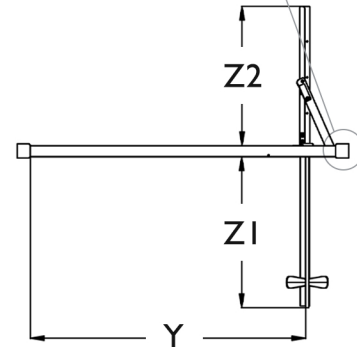
- Seamless Interior Cover Strips
- Reversible
- Press Fit Seal Design
- Ultra Clear Seals
- 20 Year Guarantee Against Manufacturing Defects*



(MEASUREMENTS IN MM)



PROFILE
(SAME ON BOTH SIDES)



SPECIFICATIONS

PRODUCT SIZE	ADJUSTMENT X (min - max)	DOOR ACCESS Y	EXTRUSION Z1	INTRUSION Z2	PRODUCT WEIGHT	PRODUCT CODE		
						SILVER	BLACK	BRUSHED BRASS
700mm	650 - 690mm	496mm	292mm	250mm	30.00kg	ETOIF70SC	ETOIF70BC	N/A
740mm	690 - 730mm	536mm	332mm	250mm	33.00kg	ETOIF74SC	ETOIF74BC	N/A
760mm	710 - 750mm	556mm	352mm	250mm	32.50kg	ETOIF76SC	ETOIF76BC	N/A
800mm	750 - 790mm	596mm	392mm	250mm	34.50kg	ETOIF80SC	ETOIF80BC	ETOIF80BRBC
840mm	790 - 830mm	636mm	432mm	250mm	38.00kg	ETOIF84SC	ETOIF84BC	N/A
900mm	850 - 890mm	696mm	386mm	357mm	39.00kg	ETOIF90SC	ETOIF90BC	ETOIF90BRBC
940mm	890 - 930mm	736mm	426mm	357mm	42.00kg	ETOIF94SC	ETOIF94BC	N/A
1000mm	950 - 990mm	796mm	486mm	357mm	43.50kg	ETOIF100SC	ETOIF100BC	ETOIF100BRBC
1040mm	990 - 1030mm	836mm	526mm	357mm	46.00kg	ETOIF104SC	ETOIF104BC	N/A

Product in blue text only available in certain regions. Please consult technical support using the contact details below for more details.

+353 42 966 8000 | flairshowers.com | sales@flairshowers.com

All data presented may be subjected to change without prior notice. Flair Showers does the best it can to provide accurate information. Flair Showers unfortunately cannot guarantee this, and accept no liability for any information / advice given.

* Excludes perishable items such as rollers, seals, hinges, etc.

