

HINGE AND INLINE DOOR



EN 14428:2015+A1:2018 (shower enclosures)

EN 12150-1:2013 (glass in building)

EN ISO7599 (anodizing of aluminium and its alloys)

8mm Toughened Safety Glass

20mm Profile Adjustment

2000mm Height

Countersunk Interior Hinges

ClearVue Glass Coating

Ultra Slim Chrome Plated Cover Caps

Pre-Assembled Profile Frame

Crafted Handle Design

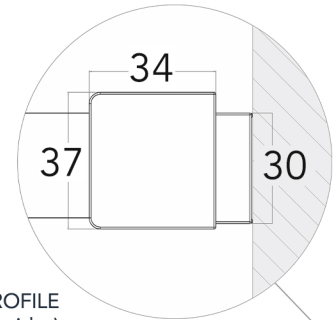
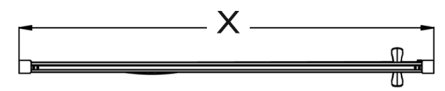
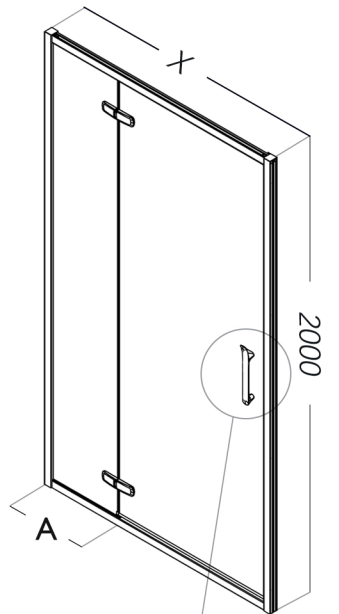
Seamless Interior Cover Strips

Reversible

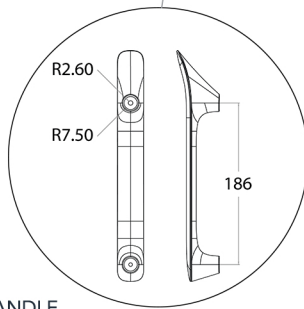
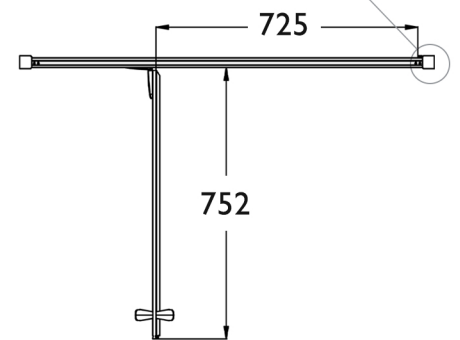
Press Fit Seal Design

Ultra Clear Seals

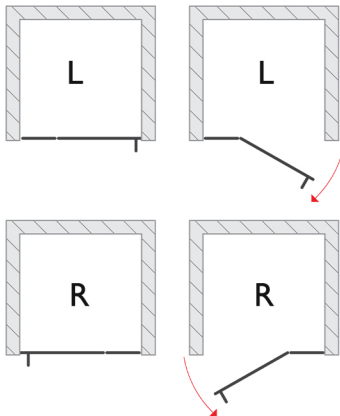
20 Year Guarantee Against Manufacturing Defects*



PROFILE
(Identical on both sides)



HANDLE



SPECIFICATIONS

PRODUCT SIZE	ADJUSTMENT X (min - max)	GLASS PANEL A	EXTRUSION	ACCESS	PRODUCT WEIGHT	PRODUCT CODE		
						SILVER	BLACK	BRUSHED BRASS
1100mm	1050 - 1090mm	266mm	752mm	725mm	51.00kg	ETOHD110SC	ETOHD110BC	ETOHD110BRBC
1200mm	1150 - 1190mm	366mm	752mm	725mm	55.00kg	ETOHD120SC	ETOHD120BC	ETOHD120BRBC
1300mm	1250 - 1290mm	466mm	752mm	725mm	59.00kg	ETOHD130SC	ETOHD130BC	ETOHD130BRBC
1400mm	1350 - 1390mm	566mm	752mm	725mm	63.00kg	ETOHD140SC	ETOHD140BC	ETOHD140BRBC
1500mm	1450 - 1490mm	666mm	752mm	725mm	68.00kg	ETOHD150SC	ETOHD150BC	ETOHD150BRBC
1600mm	1550 - 1590mm	766mm	752mm	725mm	72.00kg	ETOHD160SC	ETOHD160BC	ETOHD160BRBC

+353 42 966 8000 | flairshowers.com | sales@flairshowers.com

All data presented may be subjected to change without prior notice. Flair Showers does the best it can to provide accurate information. Flair Showers unfortunately cannot guarantee this, and accept no liability for any information / advice given.

* Excludes perishable items such as rollers, seals, hinges, etc.

