

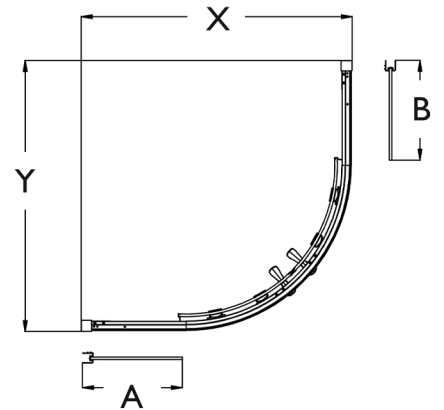
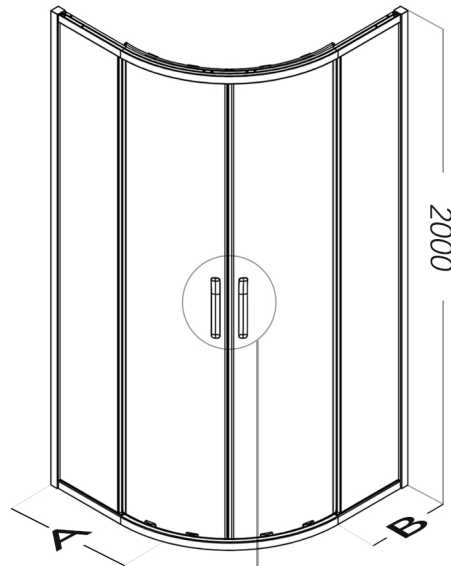
## TWO DOOR QUADRANT

- EN 14428:2015+A1:2018 (shower enclosures)
- EN 12150-1:2013 (glass in building)
- EN ISO7599 (anodizing of aluminium and its alloys)
- 8mm Toughened Safety Glass
- 20mm Profile Adjustment

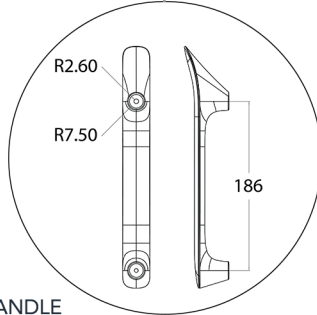
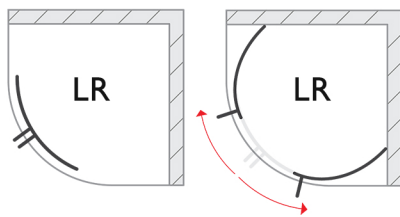
- 2000mm Height
- Shower Tray or Wetroom Application
- ClearVue Glass Coating
- Ultra Slim Chrome Plated Cover Caps
- Magnetic Cushion Close Door System

- Seamless Interior Cover Strips
- Reversible
- Press Fit Seal Design
- Ultra Clear Seals
- Crafted Handle Design
- 20 Year Guarantee Against Manufacturing Defects\*

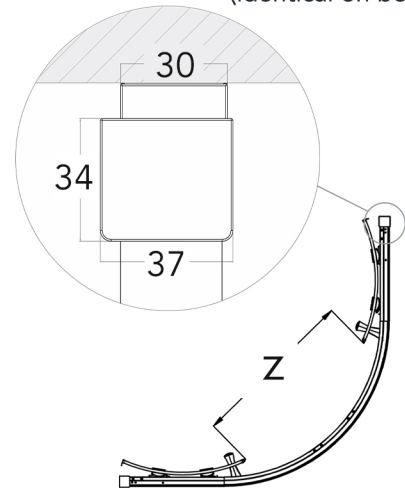
(MEASUREMENTS IN MM)



PROFILE  
(identical on both sides)



HANDLE



## SPECIFICATIONS

PRODUCT SIZE	ADJUSTMENT		ACCESS Z	GLASS PANEL		PRODUCT WEIGHT	PRODUCT CODE
	X (min - max)	Y (min - max)		A	B		
900mm	870 - 890mm	870 - 890mm	528mm	321mm	321mm	67.00kg	ETOCQ90SC

+353 42 966 8000 | [flairshowers.com](http://flairshowers.com) | [sales@flairshowers.com](mailto:sales@flairshowers.com)

All data presented may be subjected to change without prior notice. Flair Showers does the best it can to provide accurate information. Flair Showers unfortunately cannot guarantee this, and accept no liability for any information / advice given.

\* Excludes perishable items such as rollers, seals, hinges, etc.

