

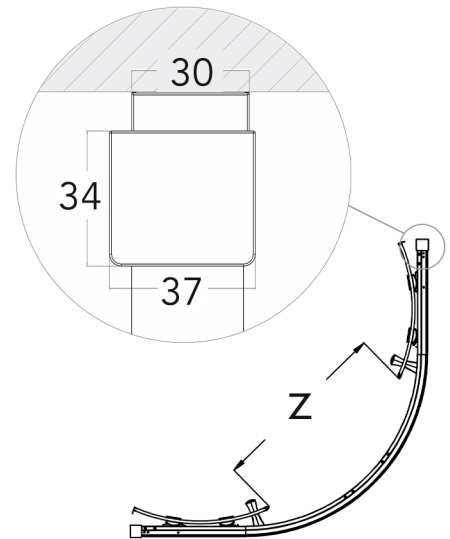
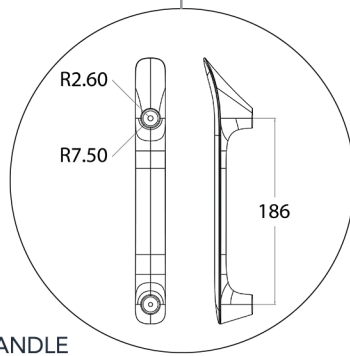
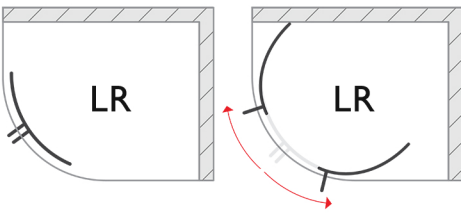
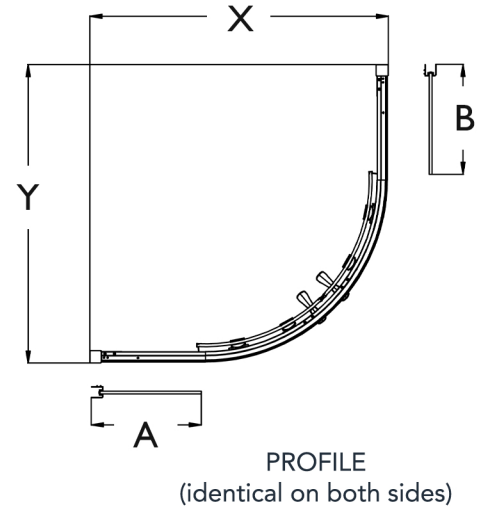
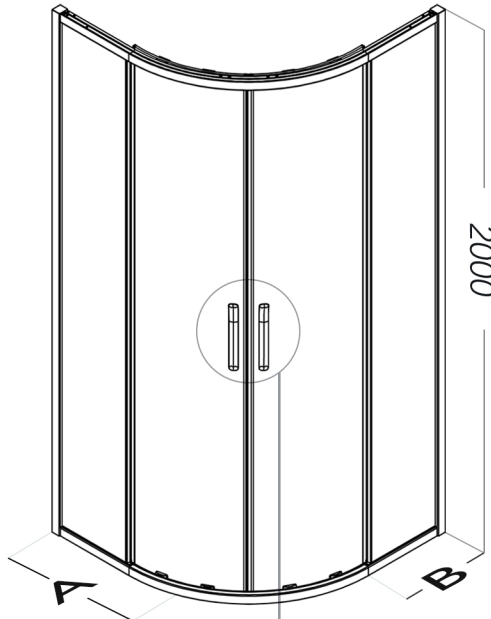
## TWO DOOR OFFSET QUADRANT

EN 14428:2015+A1:2018 (shower enclosures)  
EN 12150-1:2013 (glass in building)  
EN ISO7599 (anodizing of aluminium and its alloys)  
8mm Toughened Safety Glass  
20mm Profile Adjustment

2000mm Height  
Shower Tray or Wetroom Application  
ClearVue Glass Coating  
Ultra Slim Chrome Plated Cover Caps  
Magnetic Cushion Close Door System

Seamless Interior Cover Strips  
Reversible  
Press Fit Seal Design  
Ultra Clear Seals  
Crafted Handle Design

20 Year Guarantee Against Manufacturing Defects\*



## SPECIFICATIONS

PRODUCT SIZE	ADJUSTMENT		ACCESS Z	GLASS PANEL		PRODUCT WEIGHT	PRODUCT CODE SILVER
	X (min - max)	Y (min - max)		A	B		
1100 X 800mm	1070 - 1090mm	770 - 790mm	458mm	521mm	221mm	71.00kg	ETOCQ80X110SC
1100 X 900mm	1070 - 1090mm	870 - 890mm	528mm	521mm	321mm	75.00kg	ETOCQ90X110SC
1200 X 800mm	1170 - 1190mm	770 - 790mm	458mm	621mm	221mm	76.00kg	ETOCQ80X120SC
1200 X 900mm	1170 - 1190mm	870 - 890mm	528mm	621mm	321mm	80.00kg	ETOCQ90X120SC

+353 42 966 8000 | [flairshowers.com](http://flairshowers.com) | [sales@flairshowers.com](mailto:sales@flairshowers.com)

All data presented may be subjected to change without prior notice. Flair Showers does the best it can to provide accurate information. Flair Showers unfortunately cannot guarantee this, and accept no liability for any information / advice given.

\* Excludes perishable items such as rollers, seals, hinges, etc.

