



**ELIZABETH CONCEALED THERMOSTATIC SHOWER VALVE**



DOMESTIC



HOTEL & LEISURE

**PRODUCT INFORMATION**

ET1201CON

Elizabeth dual control concealed thermostatic shower valve

**SPECIFICATIONS**

Minimum inlet pressure 0.5 bar  
Maximum inlet pressure 10.0 bar  
Max inlet temperature 65°C

**MATERIAL**

Brass

**COLOUR/FINISH**

Chrome

**APPROVALS**

This product should be fitted in accordance with relevant *Water Byelaw Regulations*

**FIXING**

Frame to hold plaster board and secure anchor for pipe

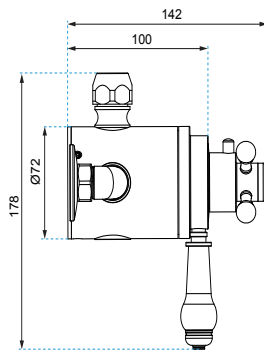
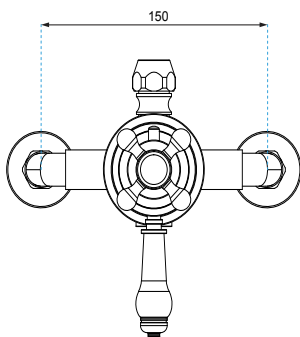
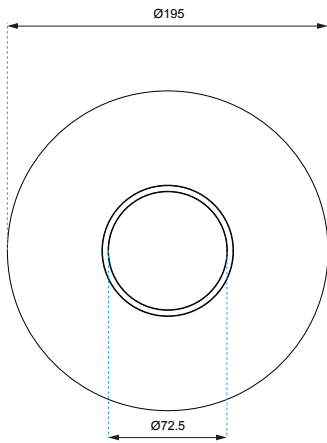
**PRODUCT DIMENSIONS**

Please refer to technical line drawing

**ADDITIONAL INFORMATION**

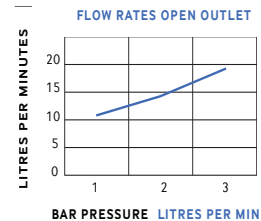
Suitable for the following plumbing systems:  
Gravity fed, pumped, unvented or combi systems.

For a full range of brassware products please refer to [www.sonasbathrooms.com](http://www.sonasbathrooms.com)



**OPEN OUTLET**

BAR	LITRES PER MIN
1	11
2	14.4
3	19



**WARRANTY**

- 5 year warranty on taps applies to chrome finish and main body of products. All surfaces must be cleaned with warm soapy water and dried with soft cloths only. The use of abrasive cleaners or materials will render warranty invalid. Flexible tail connections, hoses, handsets and faucets are covered by a 2 year guarantee.
- Do not over tighten flexible tail connections as this may result in later failure of the fitting.
- To enable each supply to be individually isolated product should be fitted with individual isolating valves, claims will be dealt with on that basis.
- Suitable access should be provided for in order for products or parts to be replaced under warranty. In the event that no access is provided, labour cost claims cannot be upheld.