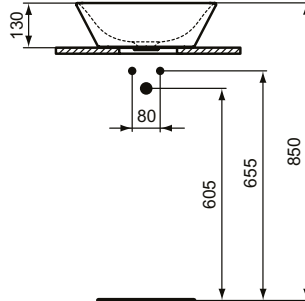




Ideal Standard

COUNTERTOP

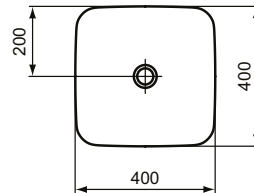
Connect Air



Article-No.: **E034701**

## Vessel basin Square 40cm

Connect Air vessel basin without tap hole or overflow hole. Including fix. set and cutting template. For combination with free waste J3291AA (separate order). Assemble with: Connect Air basin units on worktop with Design siphon. Recommended: Design siphon G1 1/4 (E0079AA), Design stop angle valve - (A3491AA), Siphon waste - A2305AA, Stop angle valve - B7883AA, Escutcheon for siphon G1 1/4 - B4801AA, Free waste G1 1/4 for basins without overflow (J3291AA).



Colour: 01 - White

Features: .Without an overflow

### More product details:

Type:	Vessel
Mounting:	Worktop installation
Style:	Contemporary
Accreditations:	DIN EN 14688 CL 00, DIN EN 31
Tap Holes:	0
Net Weight (kg):	9
Material:	Fine fireclay
Designer:	Studio Levien
Height (mm):	135
Width (mm):	400
Depth (mm):	400
Shape:	Squared / Rectangle
Certificate Number:	EN 14688