

R.T. LARGE

ESTABLISHED 1969



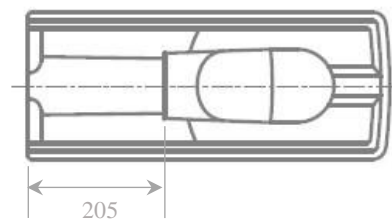
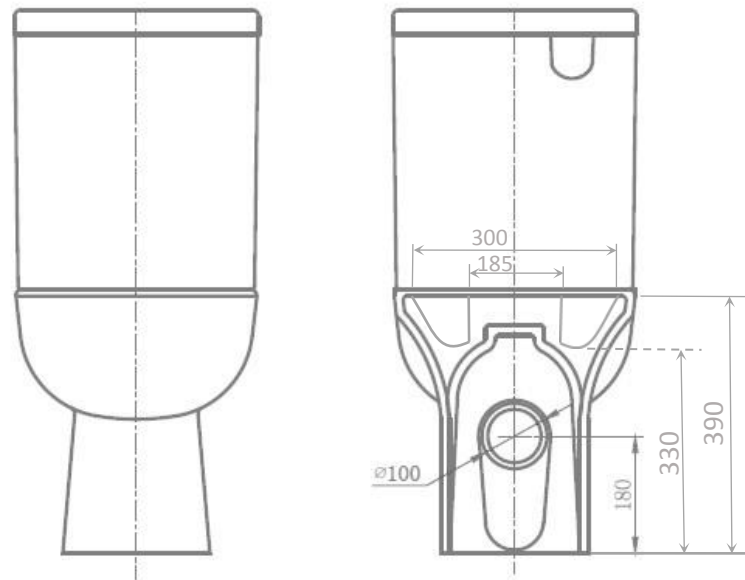
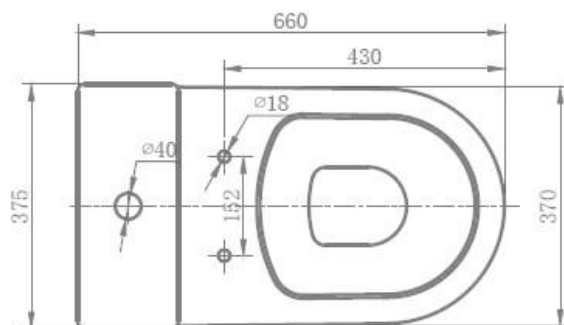
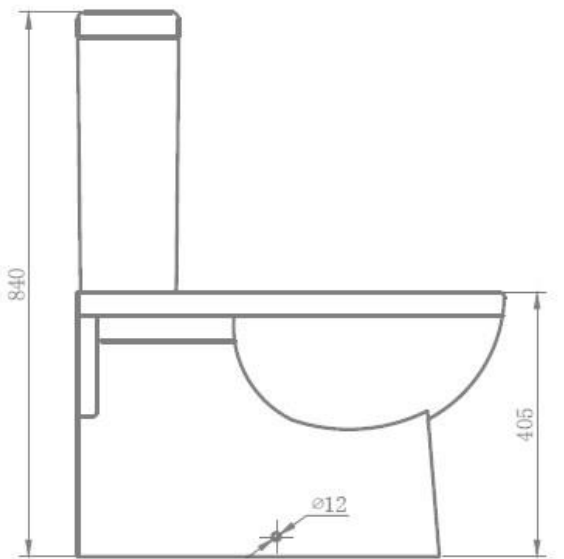
Oslo Pan and Cistern

Product Code:

COSLOPAN & COSLOTANK

Features:

W: 375 x D: 660 x H: 840
Dual Flush Cistern
Suitable for 90° Connection



All Dimensions in mm
Drawings not to scale