

56CM UNDER COUNTER BASIN 0TH



Product Code	CKOTUNDER
Weight (Kg)	8.9
Material	Vitreous China
Tap holes	0
Fixings	Includes cutting template and fixing brackets

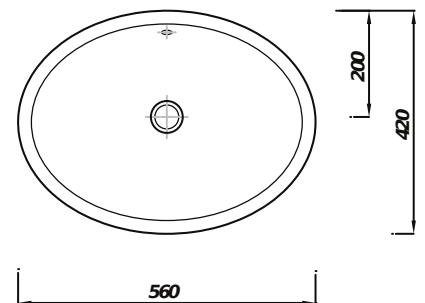
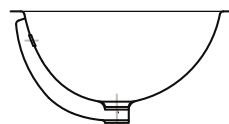
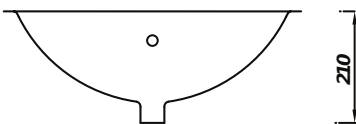
*Bracket not included

Key features:

- UKCA compliant
- Chrome effect overflow ring
- Internal overflow
- Lifetime ceramic guarantee*

Description:

Under counter basins are designed for use with solid or composite, natural or man-made worktops. Ideal for contemporary bathrooms or commercial settings.



All dimensions are approximate and subject to normal ceramic variation. Although every effort is made not to change the above product specification, RT Large reserve the right to do so without prior notification if necessary. Lifetime ceramic guarantee against manufacturers defects. Full information on guarantees available upon request.