

## KOTA BACK TO WALL PAN

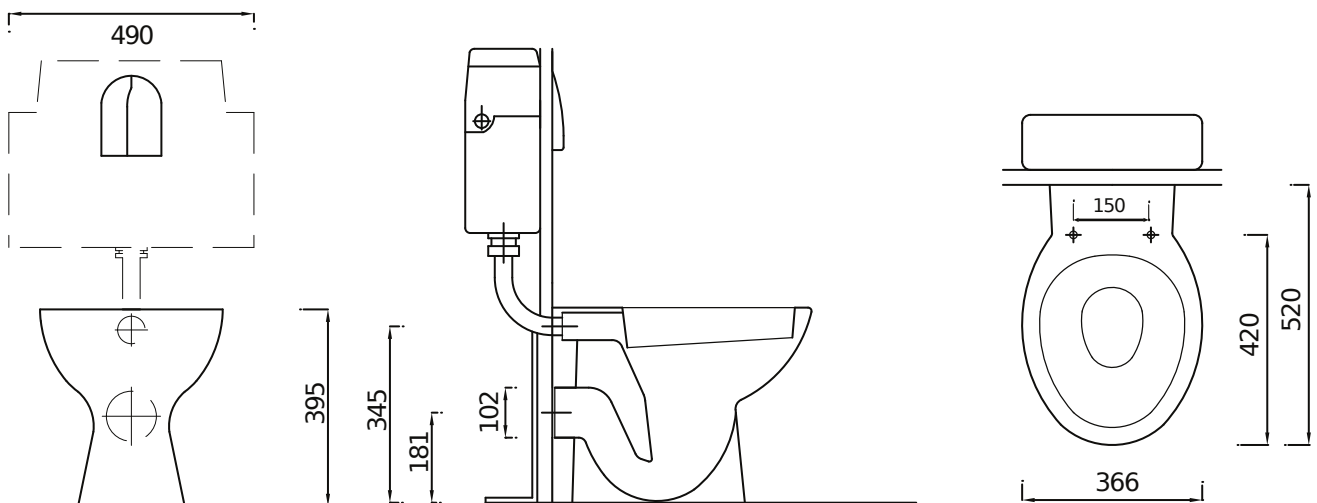
<b>Product Code</b>	<b>CKOTBTWPAN</b>
<b>Outlet</b>	Horizontal
<b>Weight (Kg)</b>	18.48
<b>Fixing kit included</b>	No
<b>Material</b>	Vitreous China
<b>Flushing Volume (Ltr)</b>	6/4 or 4/2.6

### Key features:

- UKCA Compliant
- Modern design
- Lifetime ceramic guarantee\*

### Description:

This back to wall pan is perfect for commercial and domestic installations alike. Back to wall pans are increasingly popular in part due to the reduced footprint and the ease of which they can be cleaned. Back to wall pans require the use of a concealed cistern which can be either lever or push button operated.



All dimensions are approximate and subject to normal ceramic variation. Although every effort is made not to change the above product specification, RT Large reserve the right to do so without prior notification if necessary. Lifetime ceramic guarantee against manufacturers defects. Full information on guarantees available upon request.