

R.T. LARGE

ESTABLISHED 1969



Galaxy Under Counter Basin

Product Code:

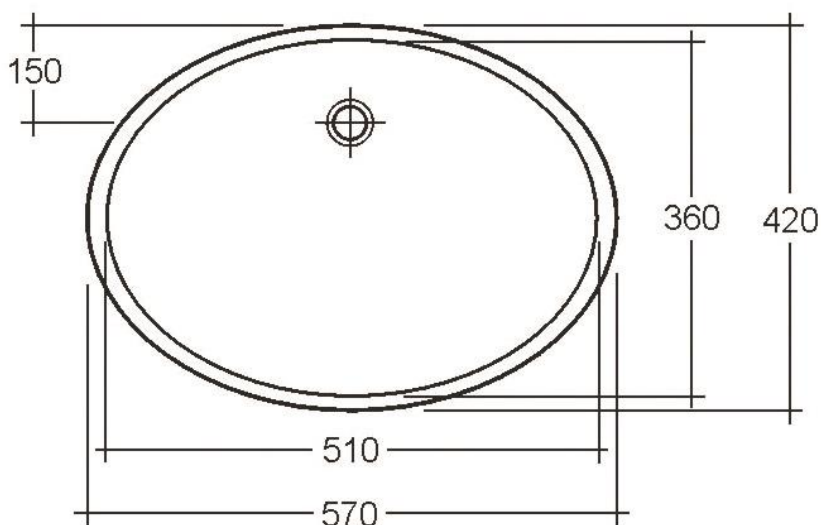
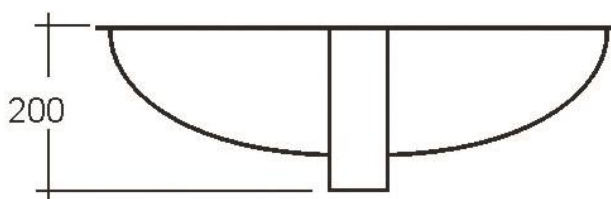
CGALUNDER

Features:

W: 570 x D: 420 x H: 200

Compliance:

CE Certified
EN 14688 – CL 25



All Dimensions in mm
Drawings not to scale