

TECHNICAL DATA SHEET

Easton Close Coupled Pan

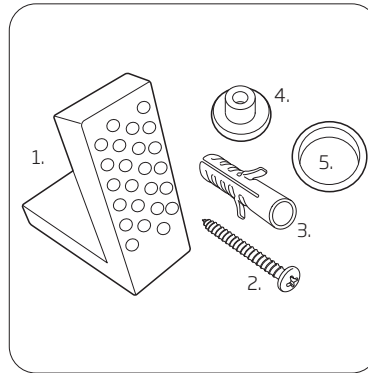
R.T. LARGE

ESTABLISHED 1969

NO.	Description	Product Code	Fixings included	Gross Weight
1	Close Coupled Cistern	CEASTAN	YES	13.5KG
2	Soft Close Toilet Seat	CEASSEAT	YES	2.7KG
3	Fully Enclosed WC	CEASPAN	YES	34.3KG



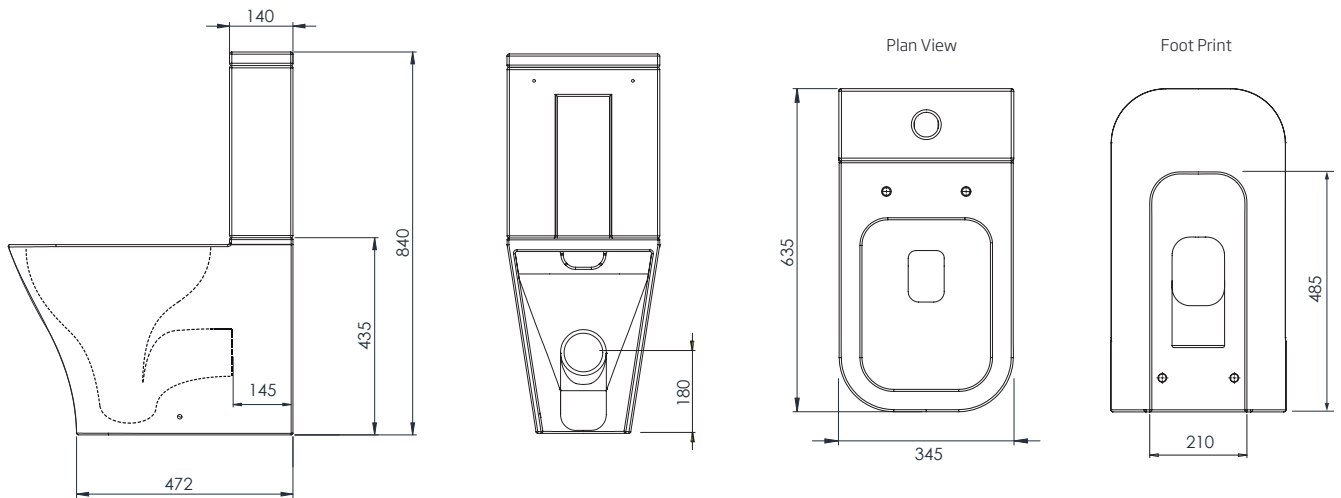
Floor Fixings



- 1. 2x Nylon Floor Bracket
- 2. 4x Stainless Steel Screws
- 3. 2x Nylon Screw Plugs
- 4. 2x Nylon Screw Collars
- 5. 2x Nylon Collar Caps (Metalic Finish)

DIMENSIONS

DIAGRAMS NOT TO SCALE | ALL DIMENSIONS IN MM TOLERANCE OF ± 5MM
ALL PRODUCTS CONFORM TO BRITISH STANDARDS



*Dimensions are subject to change, customers are advised to measure actual product before commencing installation.
**Fixing point dimensions are for guidance only. The positions of fixings must be checked when product is received.

FAQs

Q - Where is the inlet valve?
A - Bottom inlet, back right of the pan.

Q - What is the flush volume?
A - 6/4L

Q - Can this pan be used with a side connection outlet pipe?
A - No

Q - Are there any other compatible seats?
A - No

Q - Rim type?
A - Rimless

Key Dimensions Descriptions	Key Dimensions (mm)
Front to Back Footprint	485mm
Left to Right Footprint	210mm
Bowl Front to Back	335mm
Bowl Left to Right	250mm
Pan Height (+ Cistern)	425mm (840mm)
Pan Overall Front to Back	635mm
Centre Waste Outlet to Floor	180mm
Width of Void	155mm
Is there a Ceramic Brace Bar	No
Distance from Spigot to back of Pan	145mm

All Dimensions are in millimetres. The information contained on this page was correct at date of issue. Fitting dimensions are provided as a guide only. Some variation may occur due to manufacturing tolerances. We pursue a policy of continuing improvement in design and performance of our products and so reserve the right to change specifications without prior notice.