

Technical Data Information

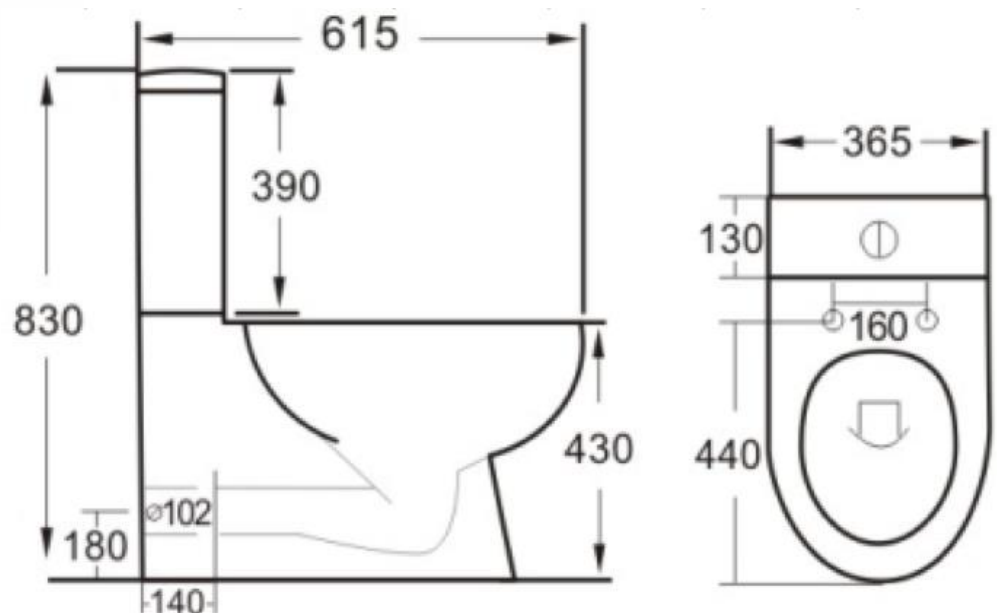
Information:

Fully Flush to Wall
WRAS Approved Cistern Fittings
Dual Flush Cistern
R/H Inlet Valve

Overall Dimensions: D: 615 x W: 365 x H: 830

Cistern Dimensions: D: 150 x W: 365 x H: 390

Pan Dimensions: D: 615 x W: 365 x H: 430



All Dimensions are in millimetres. The information contained on this page was correct at date of issue. Fitting dimensions are provided as a guide only. Some variation may occur due to manufacturing tolerances. We pursue a policy of continuing improvement in design and performance of our products and so reserve the right to change specifications without prior notice.