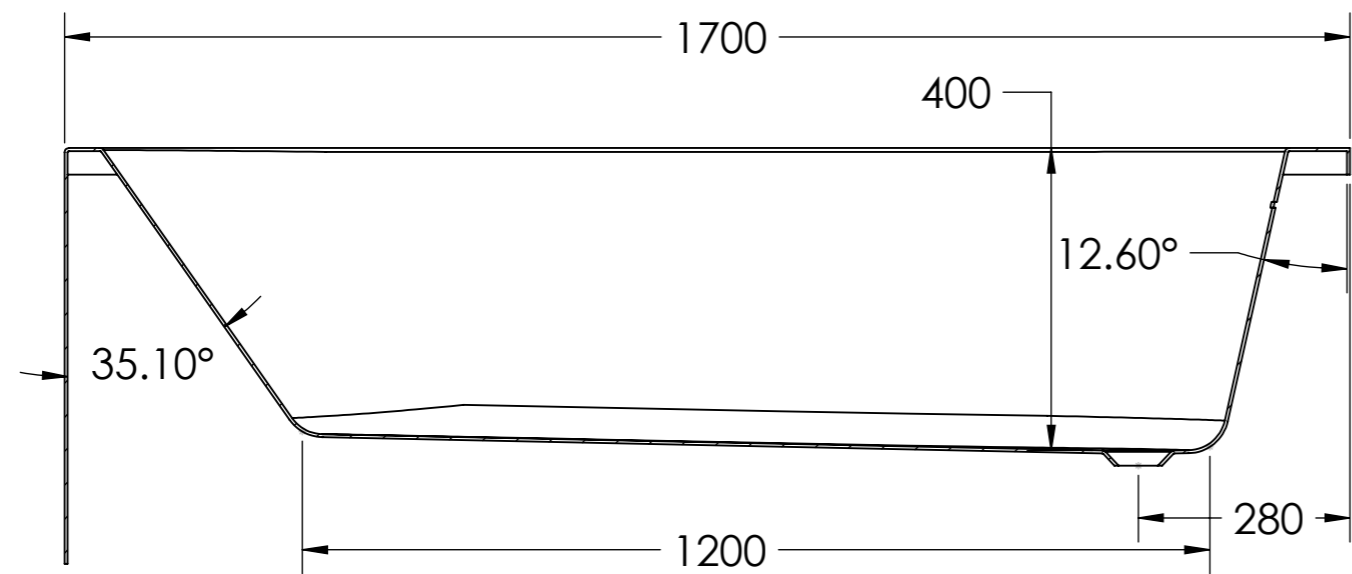


SECTION C-C
SCALE 1 : 10



SECTION B-B
SCALE 1 : 10

NAME	Date	DATE :	Mold No.	Product :
DRAWN by	06/04/2017	10/03/2021		Tee Bath Right 1700X700X550
CHK'd by 1	10/03/2021	Type:	Client :	
CHK'd by 2				
R.T. LARGE ESTABLISHED 1969		Notes :	Bath Litres: 174l	TD Code :
				Material: Acrylic
				Dim. in : MM
				Tolerances : +/- 5
				Sheet Size : A3