

Technical Data Information

Product Code: BCLIN18X80

Information: Clinton SE 180x80 WHITE

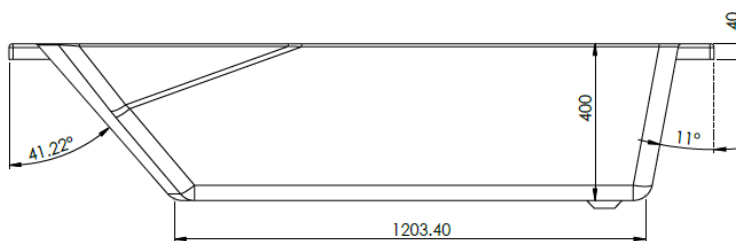
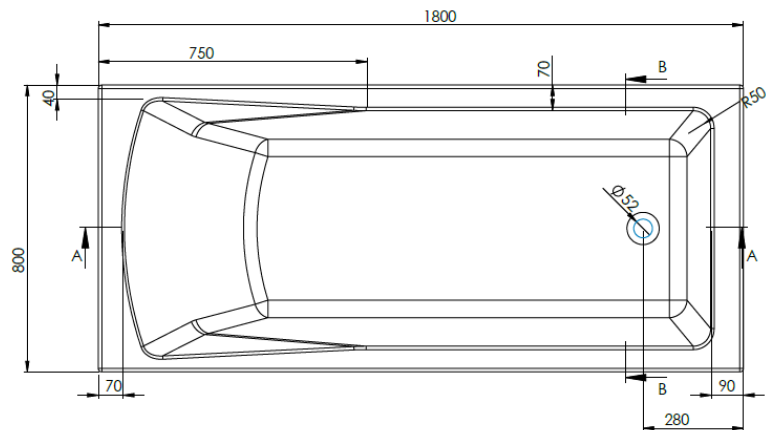
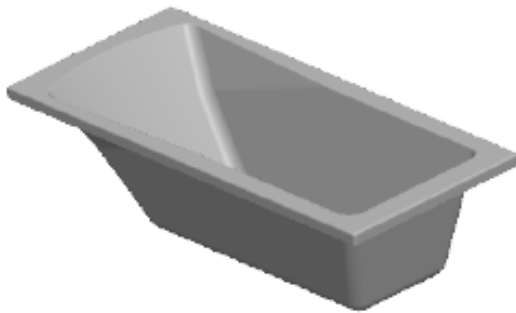
TD Code: 6380 091018 00 ST

Mold No: 6380

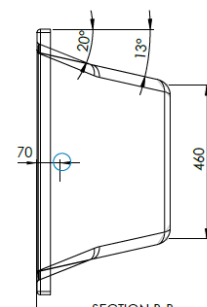
Tolerances: +/- 5mm

Bath Litres: 217l

Overall Dimensions: L: 1800 x W: 800



SECTION A-A
SCALE 1 : 9



SECTION B-B
SCALE 1 : 9

All Dimensions are in millimetres. The information contained on this page was correct at date of issue. Fitting dimensions are provided as a guide only. Some variation may occur due to manufacturing tolerances. We pursue a policy of continuing improvement in design and performance of our products and so reserve the right to change specifications without prior notice.