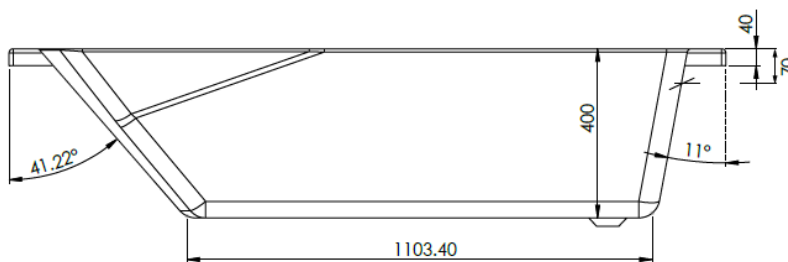
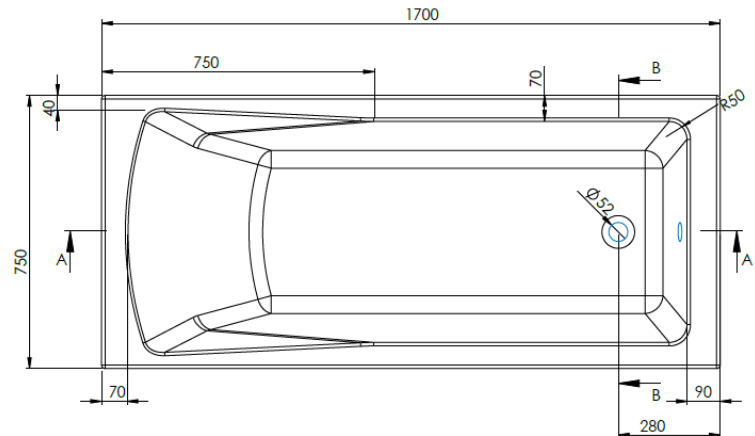
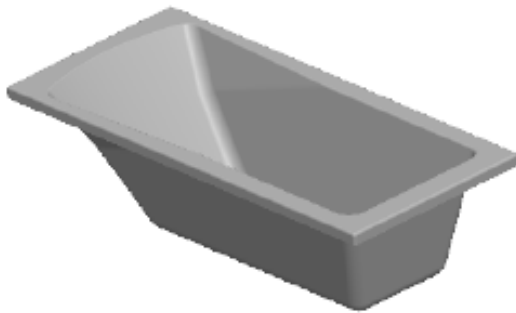


## Technical Data Information

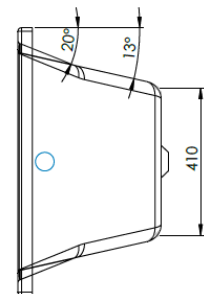
**Product Code:** BCLIN17X75

**Information:** Clinton SE 170x75 WHITE  
TD Code: 6379 0910 00 ST  
Mold No: 6379  
Tolerances: +/- 5mm  
Bath Litres: 182l

**Overall Dimensions:** L: 1700 x W: 750



SECTION A-A  
SCALE 1 : 9



SECTION B-B  
SCALE 1 : 9

All Dimensions are in millimetres. The information contained on this page was correct at date of issue. Fitting dimensions are provided as a guide only. Some variation may occur due to manufacturing tolerances. We pursue a policy of continuing improvement in design and performance of our products and so reserve the right to change specifications without prior notice.