

Technical Data Information

Product Code: BCLIN17X70

Information: Clinton SE 170x70 WHITE

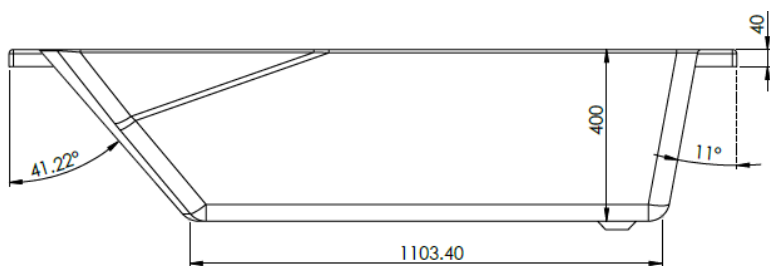
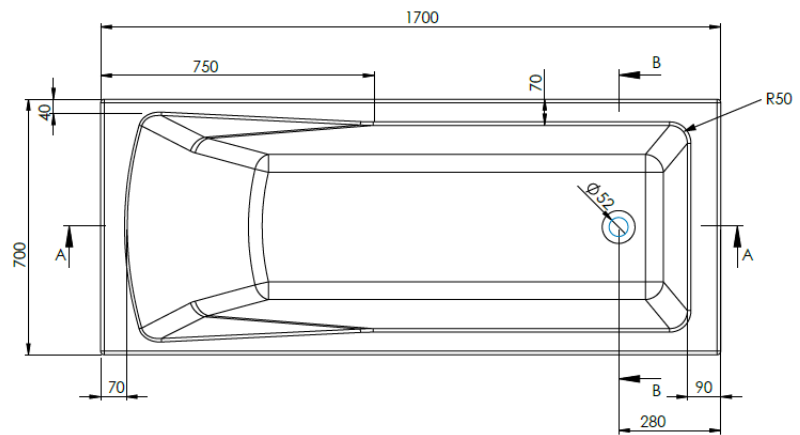
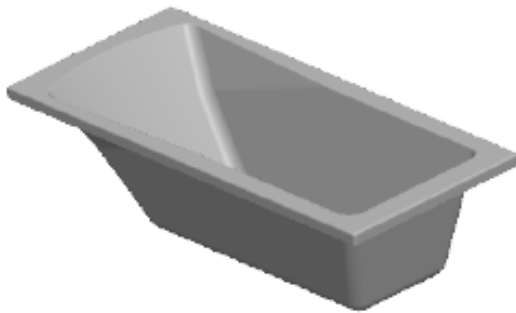
TD Code: 6378 091018 00 ST

Mold No: 6378

Tolerances: +/- 5mm

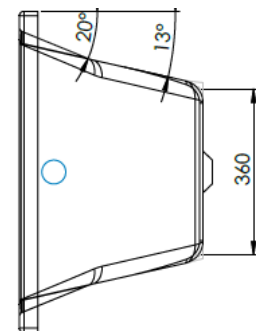
Bath Litres – 170l

Overall Dimensions: L: 1700 x W: 700



SECTION A-A
SCALE 1 : 9

MOLD NO : 6378



SECTION B-B
SCALE 1 : 9

All Dimensions are in millimetres. The information contained on this page was correct at date of issue. Fitting dimensions are provided as a guide only. Some variation may occur due to manufacturing tolerances. We pursue a policy of continuing improvement in design and performance of our products and so reserve the right to change specifications without prior notice.