

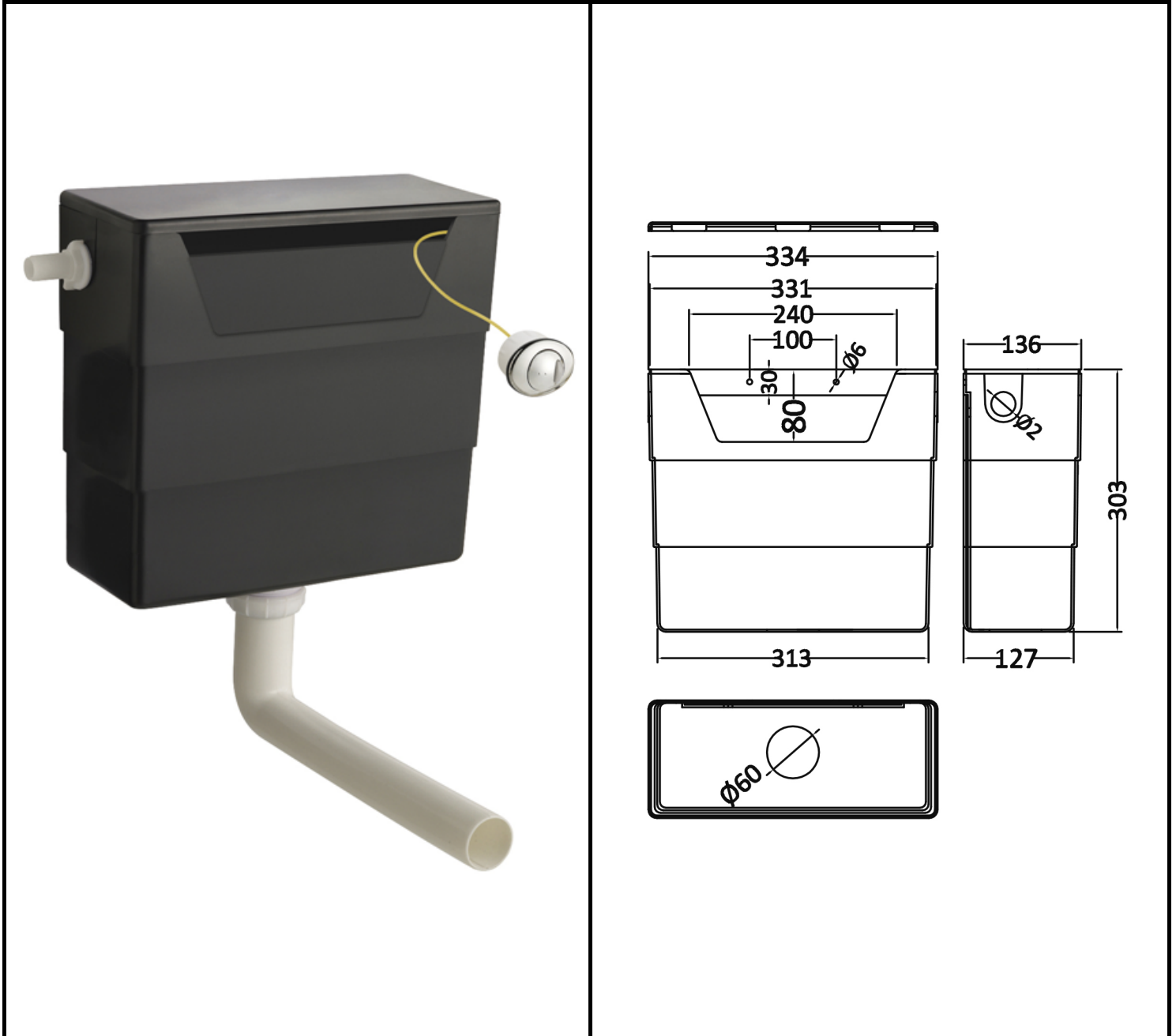
B A Y S W A T E R

London W.2

CODE: BAYA102

DESCRIPTION: Dual Flush Concealed Cistern

CATEGORY: Wastes & Extras



PRODUCT DIMENSIONS				
Height (mm)	Width (mm)	Length (mm)	Depth (mm)	Nett Wgt Kg
				2.23

PACKAGING DIMENSIONS			
Height (mm)	Width (mm)	Depth (mm)	Gross Wgt Kg
	145	320	2.23

PACKAGING DATA			
Box Colour			
Box Qty		Label Colour	
Label Size	X	Label Qty	

OUTER BOX DIMENSIONS (If Applicable)				
Height (mm)	Width (mm)	Length (mm)	Depth (mm)	Gross Wgt Kg
Barcode	5056211803805			

PRODUCT DETAILS	
Country of Origin	China
Fitting Instruction	No
Product Material	
Heating Element Wattage	

CE Certification	
Colour/Finish	
Product Diameter	
Connection Size	