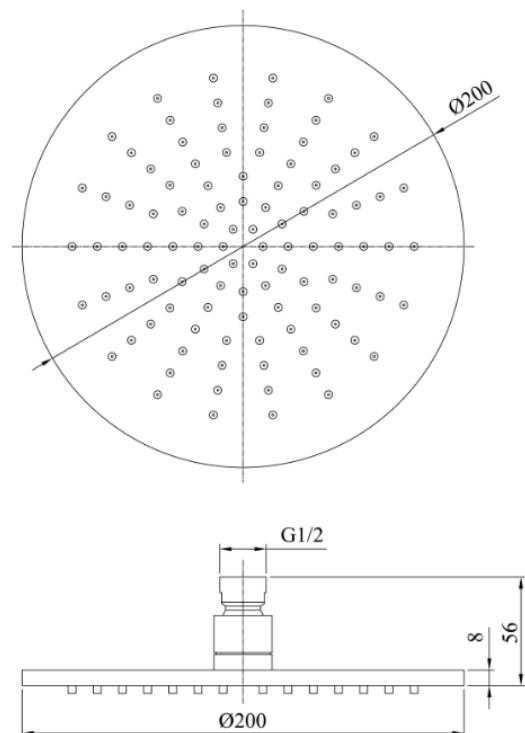


## Technical Data Information

<b>Product Code:</b>	AVSHP31
<b>Information:</b>	Standard Shower Head
<b>Construction</b>	Brass Body (CuZn38Pb18)
<b>Finishes</b>	Chrome plated to BS EN 248
<b>Product Type</b>	Contemporary
<b>Water Pressure</b>	Min 0.5bar and Max 7.0bar
<b>Plumbing Systems</b>	Suitable for all plumbing systems
<b>Certification</b>	Manufactured to comply with WRAS
<b>Fitting</b>	G1/2"
<b>Packaging</b>	45x24x40cm/carton(10pcs), Box size: 23x22x8cm, Weight: 1.0kg
<b>Guarantee</b>	1 year against manufacturing faults (excluding serviceable parts).
<b>Additional Information</b>	<ol style="list-style-type: none"><li>1. Rub-clean rubber nozzle</li><li>2. 100% Chromed</li><li>3. Swivel connector</li></ol>



All Dimensions are in millimetres. The information contained on this page was correct at date of issue. Fitting dimensions are provided as a guide only. Some variation may occur due to manufacturing tolerances. We pursue a policy of continuing improvement in design and performance of our products and so reserve the right to change specifications without prior notice.