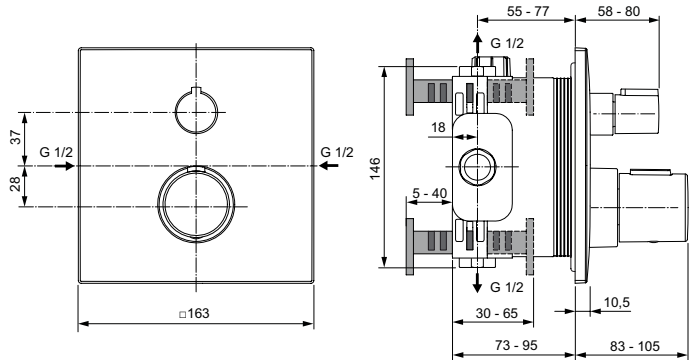




Ideal Standard

## Shower Mixer

## Ceratherm C100



Article-No.: **A6956AA**

### Built-in thermostatic shower mixer

Built-in thermostatic individual shower mixer Kit 2 (external part), IS Thermostatic cartridge and ceramic discs on/off valve 3/4" 90°, No diverter integrated, Without accessories, Metal handle with hot water stop button pre-fixed at 40°C, Metal escutcheon, chrome plated, 163x163 mm, 10,5 mm thickness, Escutcheon holder with integrated sealing to prevent water coming, to the wall, Maximum flow rate at 3 bar - 26 l/min, To be used only in combination with A1000NU Kit 1 (internal part).

**Colour:** AA - Chrome

**Technology:** FirmaFlow Therm, Click Technology

#### More product details:

Type:	Thermostatic shower mixer
Mounting:	Built-in
Operation Type:	Thermostatic
Style:	Contemporary
Accreditations:	EN1111
Operation Pressure (bar):	3
Net Weight (kg):	1,64
Material:	Chrome plated brass
Height (mm):	163
Width (mm):	163
Depth (mm):	105