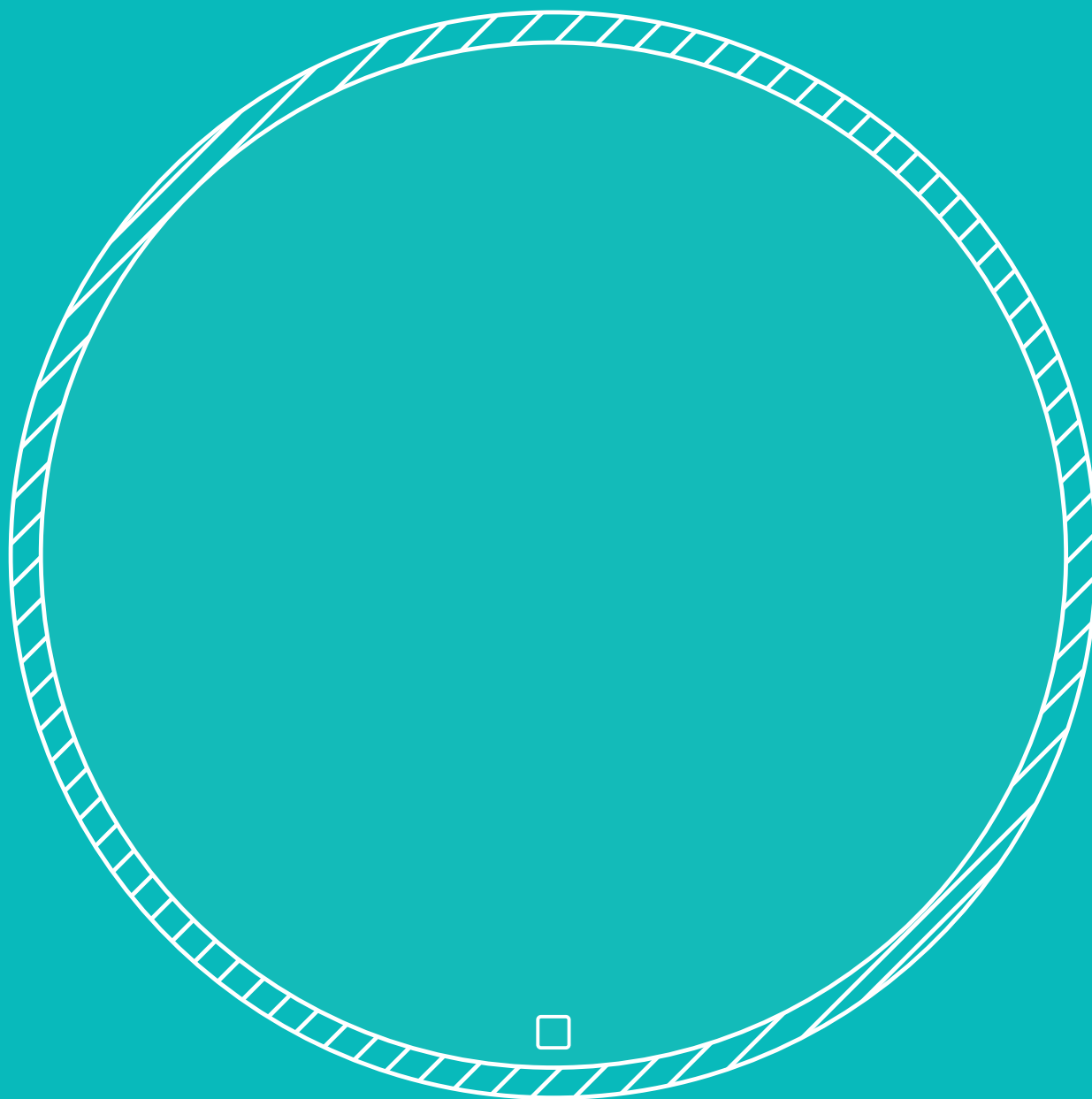


**HiB**

MAKING  
**BATHROOMS**  
BEAUTIFUL

**Technical Drawing &  
FAQ Data Sheets**

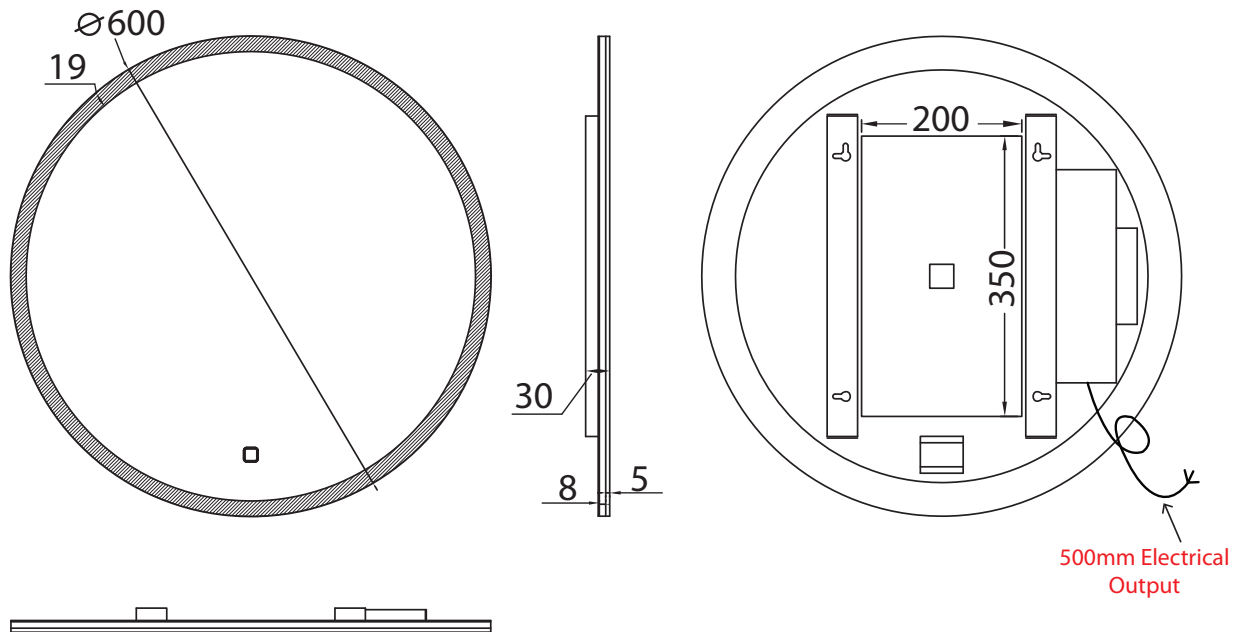


**Sphere 60  
Sphere 80**

HiB recommend you receive the product before commencing with installation as all sizes and measurements are approximate.  
HiB try and ensure all measurements are as accurate as possible.  
In the interest of continuous product development, HiB reserves the right to alter specification as necessary. E & OE.

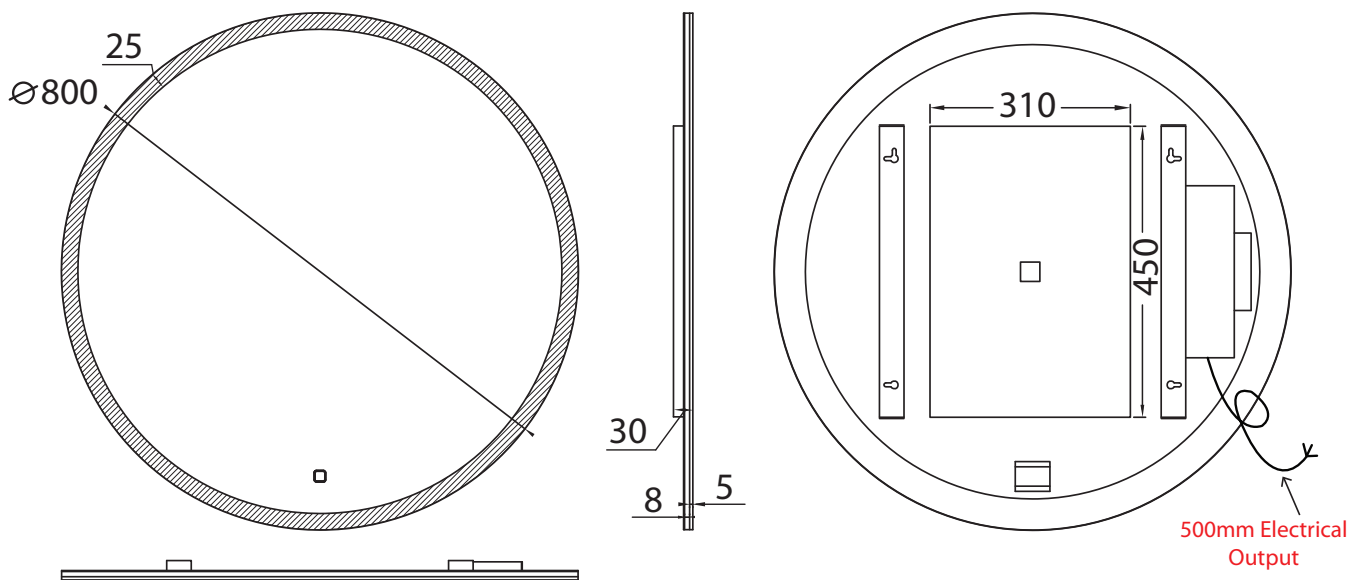
## Sphere 60

Art no. 78760000



## Sphere 80

Art no. 78761000




### Electrical Safety Information

HiB recommends that all electrical bathroom products should only be fitted by a suitably qualified, Part P registered electrician in accordance with current IEE regulations.

Ensure mains power supply is switched off before starting installation.

Before drilling, ensure there are no hidden cables or pipes in the wall.

# Sphere 60 & 80

		Version No. 31.08.17
	Product	Sphere 60 & Sphere 80
	Art. No.	Sphere 60: 78760000 & Sphere 80: 78761000
	Product Description	Round mirror with LED colour temperature changing lighting with a acrylic edge diffuser with steam free feature.

Question	Answer
Nett weight (kg)	Sphere 60: 5kg / Sphere 80: 8.5kg
Light Source	LED
Light Source Average Lifespan	Average: 20,000hrs
Total Rated Wattage (W)	Sphere 60: 32.5w / Sphere80: 56w
Lumens (Lm)	Sphere 60: 1224lm / Sphere 80: 1656lm
Kelvins (k)	Sphere 60 & 80: 2700k - 6400k
Is the mirror dimmable?	No
Energy Rating	Class A
Is the heated pad only on when the mirror is illuminated?	Yes
Does the mirror require an earth connection?	Yes
Can I bypass the sensor so the mirror comes on with the main room light?	No
Is it cool white or warm white illumination?	Both - the mirror is colour temperature changing
What IP rating is the mirror?	All Sphere mirrors are IP44 rated
Is the touch switch light on the mirror always on?	No
How long is the warranty?	5 years from date of purchase on silvering coating on mirror 2 years from date of purchase on electrical components in the mirror

**HiB recommend you receive the product before commencing with installation as all sizes and measurements are approximate. HiB try and ensure all measurements are as accurate as possible. In the interest of continuous product development, HiB reserves the right to alter specification as necessary. E & OE.**

### Electrical Safety Information

HiB recommends that all electrical bathroom products should only be fitted by a suitably qualified, Part P registered electrician in accordance with current IEE regulations.

Ensure mains power supply is switched off before starting installation.

Before drilling, ensure there are no hidden cables or pipes in the wall.